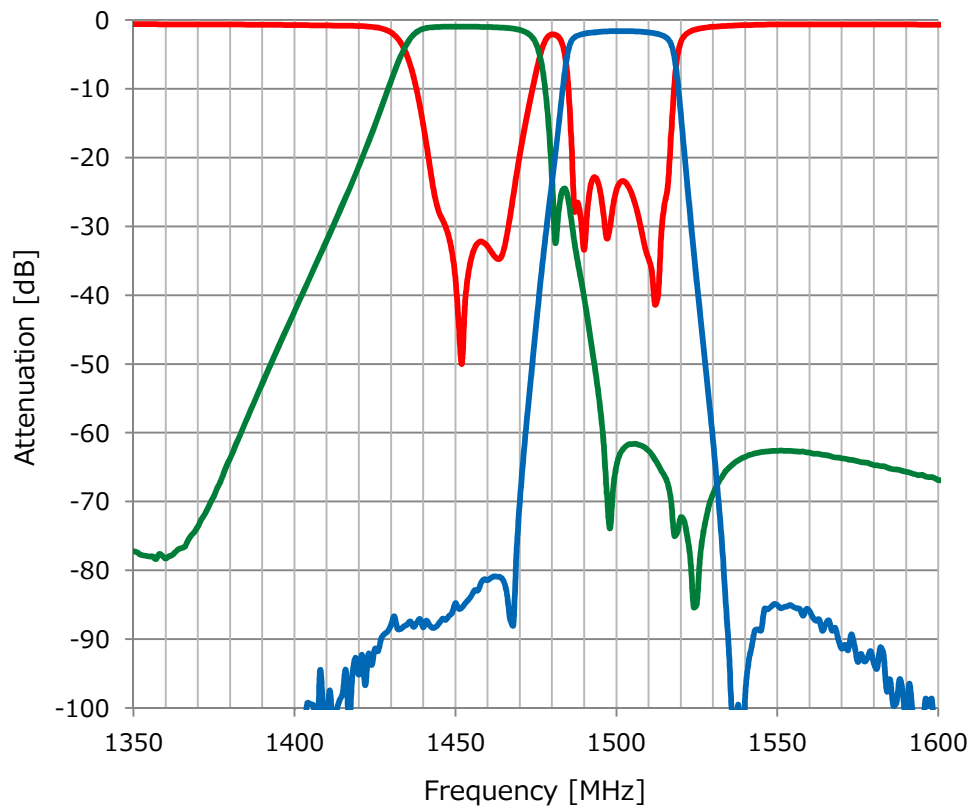


WDUP-A015

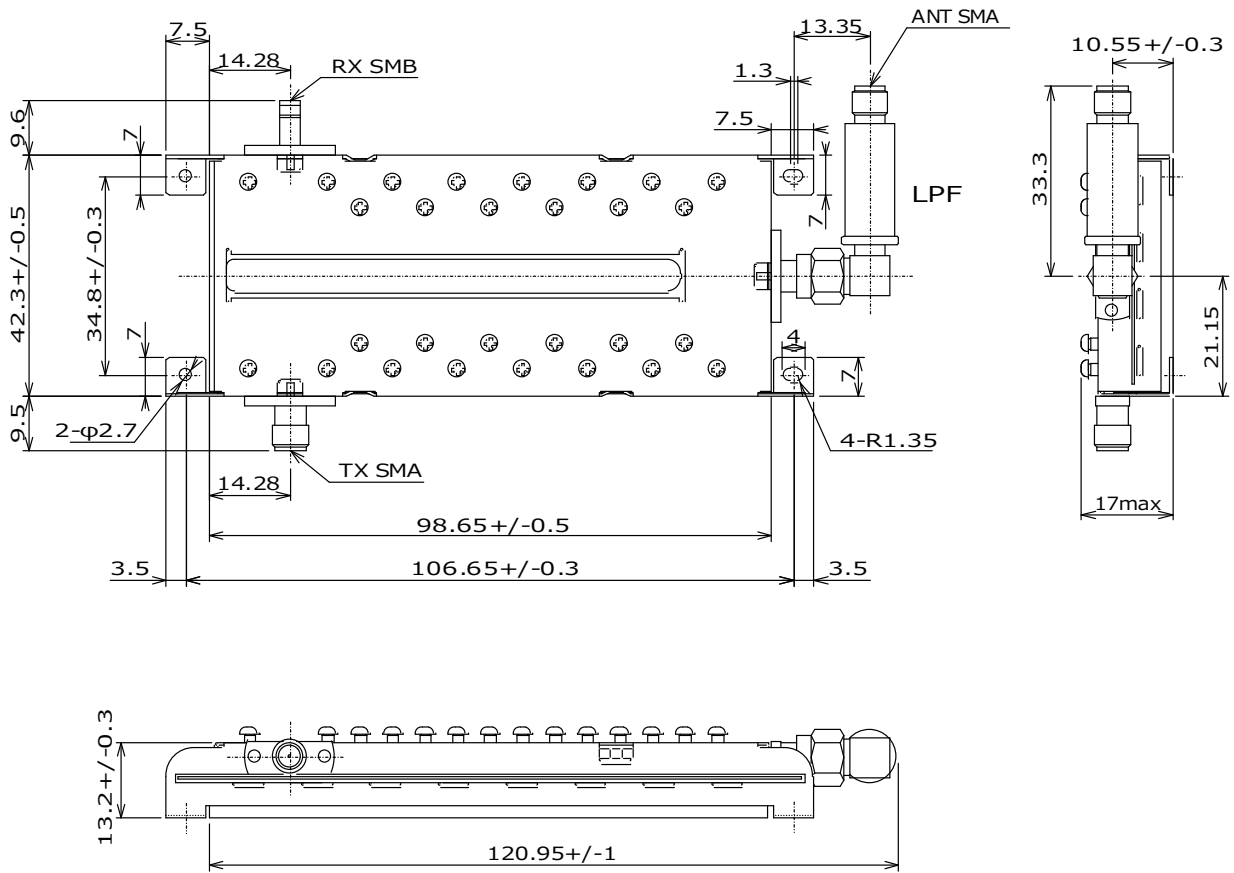
Electrical Specifications

Parameter	Frequency [MHz]	Specification -40°C to 85°C	Typical Value @25°C
ANT to RX / RX to ANT			
Insertion Loss	1447.9 – 1462.9	1.6dB max	1.1dB
Passband Ripple	1447.9 – 1462.9	-	0.3dB
VSWR	1447.9 – 1462.9	1.3 max	1.15
Attenuation	1495.9 – 1510.9	55dB min	60dB
TX to ANT / ANT to TX			
Insertion Loss	1495.9 – 1510.9	2.3dB max	1.9dB
Passband Ripple	1495.9 – 1510.9	-	0.4dB
VSWR	1495.9 – 1510.9	1.3 max	1.15
Attenuation	1447.9 – 1462.9	76dB min	82dB
Impedance		50 Ohm	50 Ohm
Input power		5Watt max	

Electrical Performance



Mechanical Dimension



Units : mm

Tolerance unless otherwise specified : +/-0.25mm