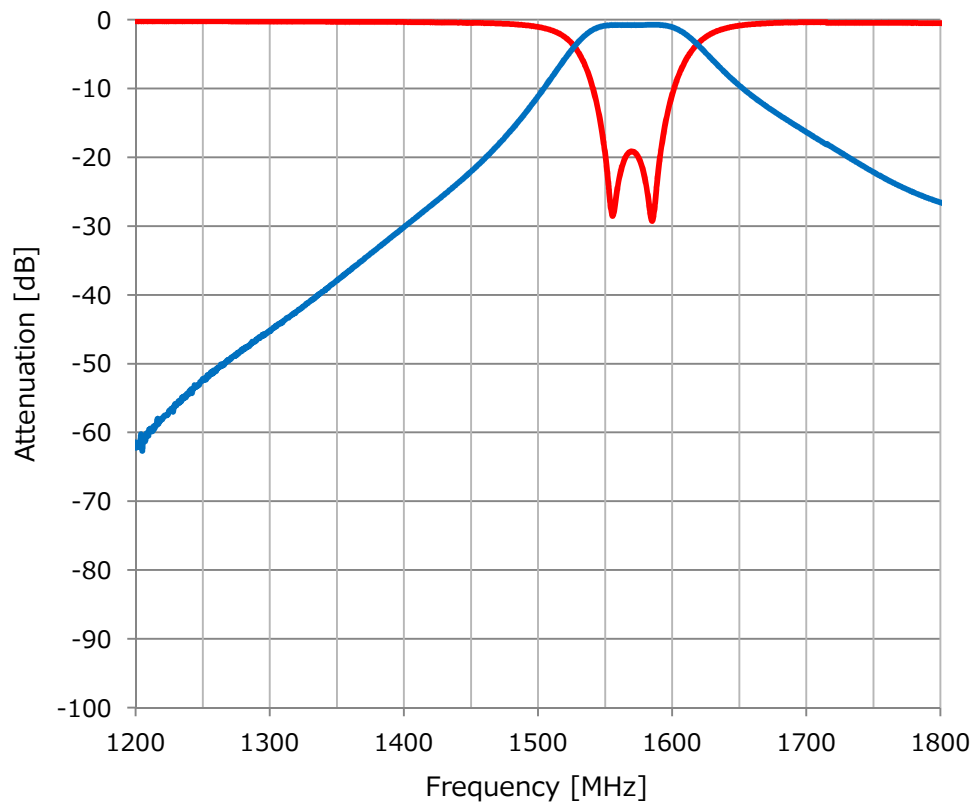


# WBPF-G004

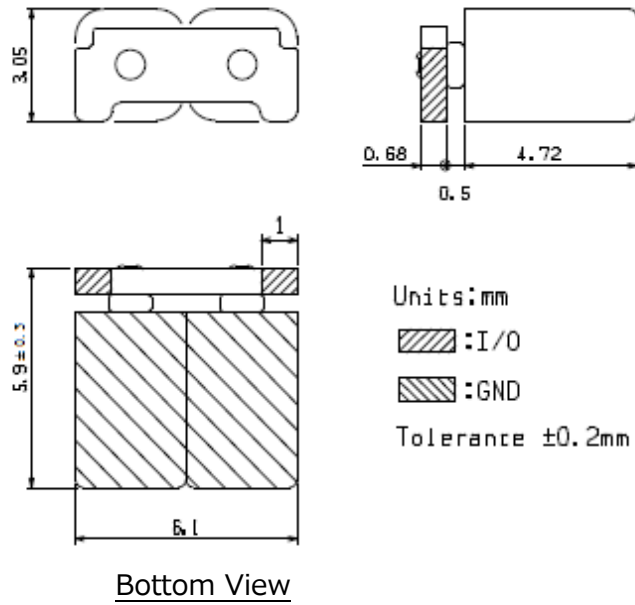
## Electrical Specifications

| Parameter        | Frequency [MHz] | Specification -40°C to 85°C | Typical Value @25°C |
|------------------|-----------------|-----------------------------|---------------------|
| Center Frequency | 1575            |                             |                     |
| Band Width       | 28              |                             |                     |
| Insertion Loss   | 1561 – 1589     | 1.2dB max                   | 0.8dB               |
| Passband Ripple  | 1561 – 1589     | 0.5dB max                   | 0.1dB               |
| Return Loss      | 1561 – 1589     | 10dB min                    | 14dB                |
| Attenuation      |                 |                             |                     |
| Impedance        |                 | 50 Ohm                      | 50 Ohm              |
| Input power      |                 | 1Watt max                   |                     |

## Electrical Performance



Mechanical Dimension



Referenced Land Pattern

