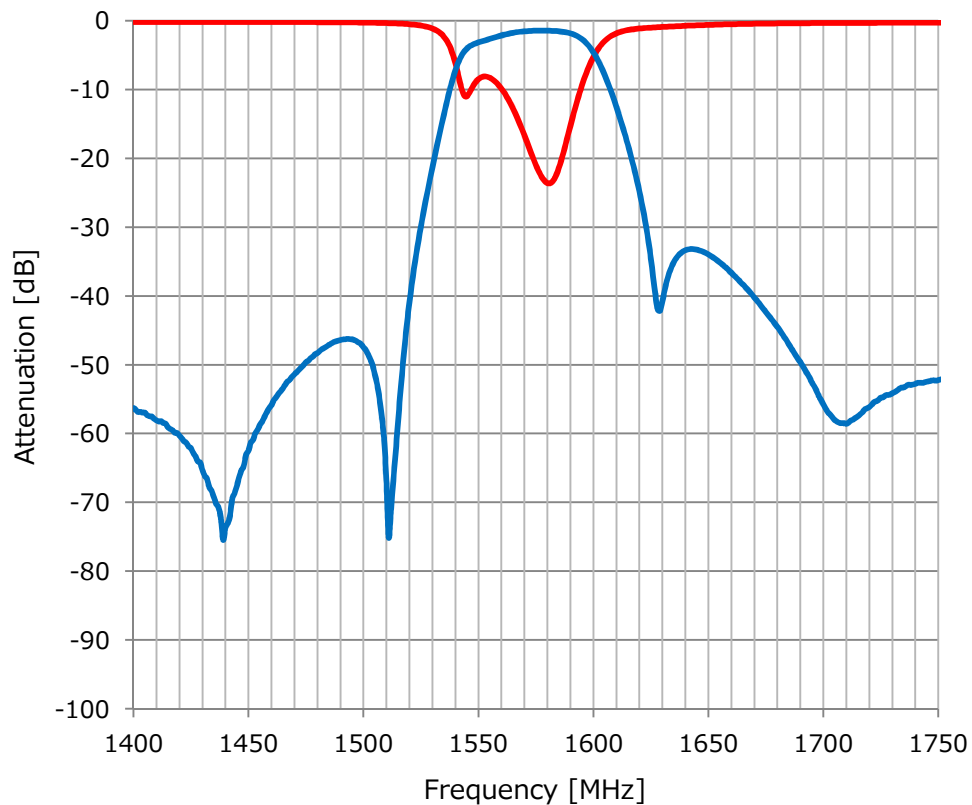


WBPF-G003

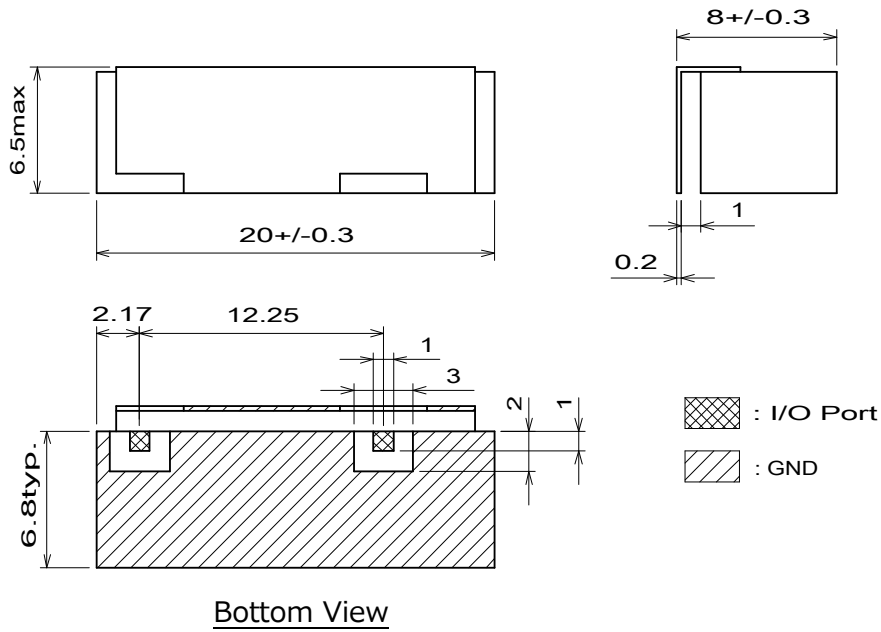
Electrical Specifications

Parameter	Frequency [MHz]	Specification -40°C to 85°C	Typical Value @25°C
Center Frequency	1575.5		
Band Width	3		
Insertion Loss	1574 – 1577	1.5dB max	1.1dB
Passband Ripple	1574 – 1577	-	-
VSWR	1574 – 1577	1.5 max	1.2
Attenuation			
Impedance		50 Ohm	50 Ohm
Input power		1Watt max	

Electrical Performance



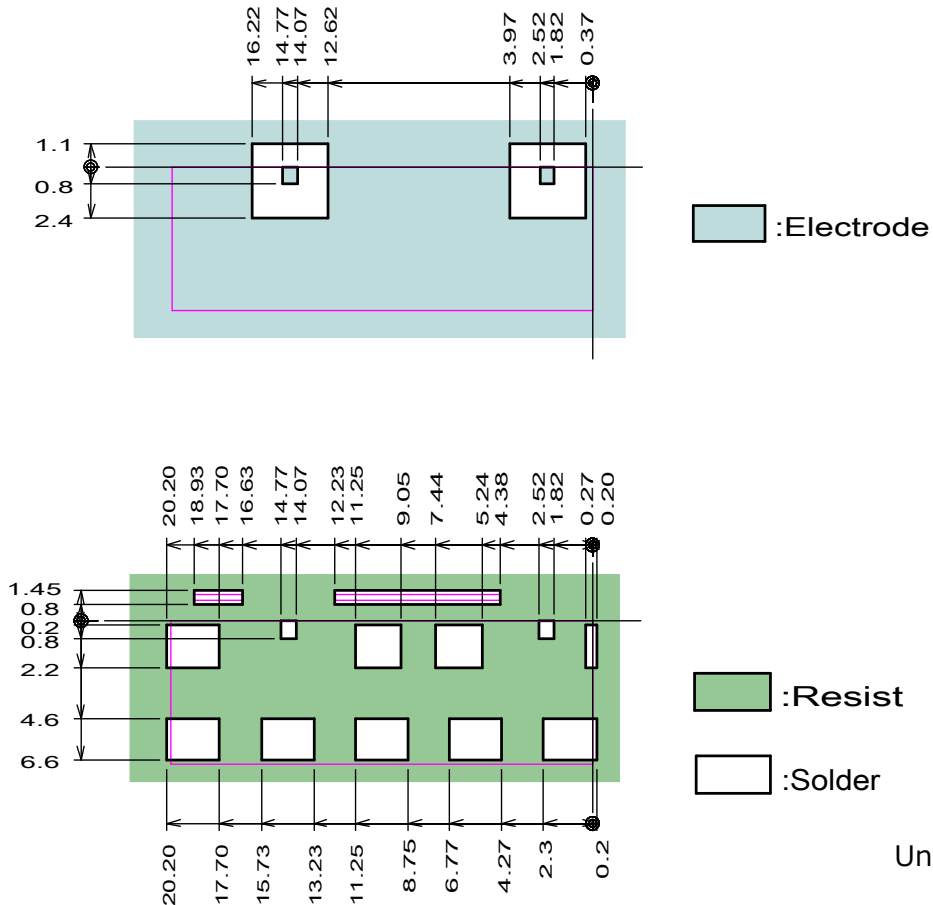
Mechanical Dimension



Units : mm

Tolerance unless otherwise specified : +/-0.2mm

Referenced Land Pattern



Units : mm