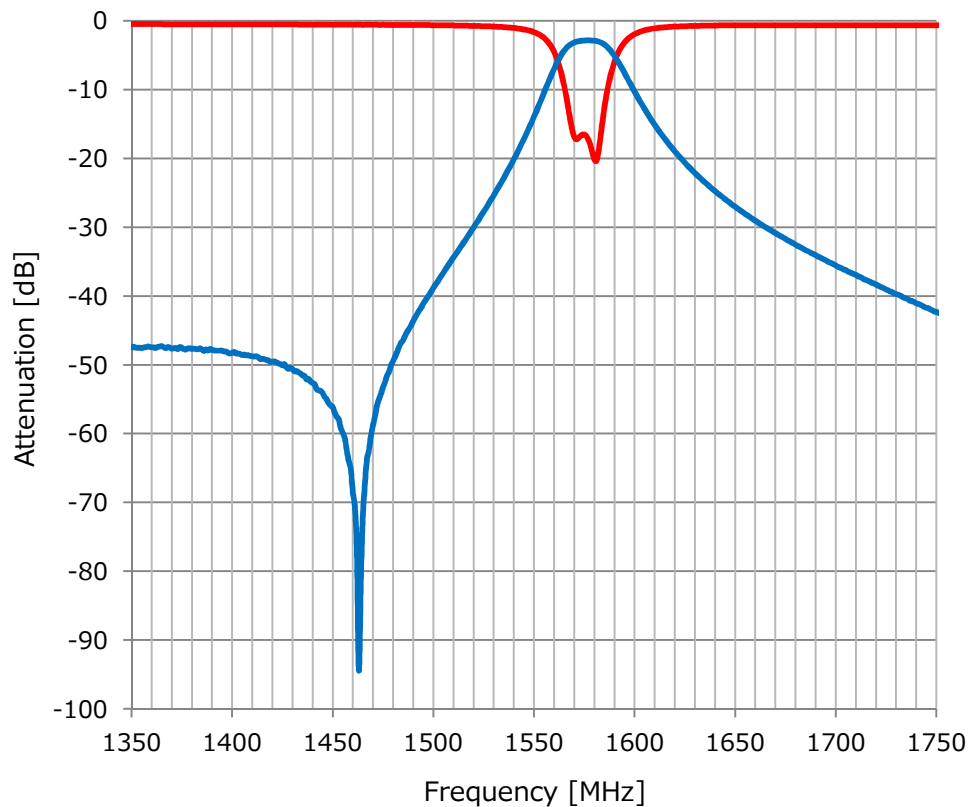


WBPF-G001

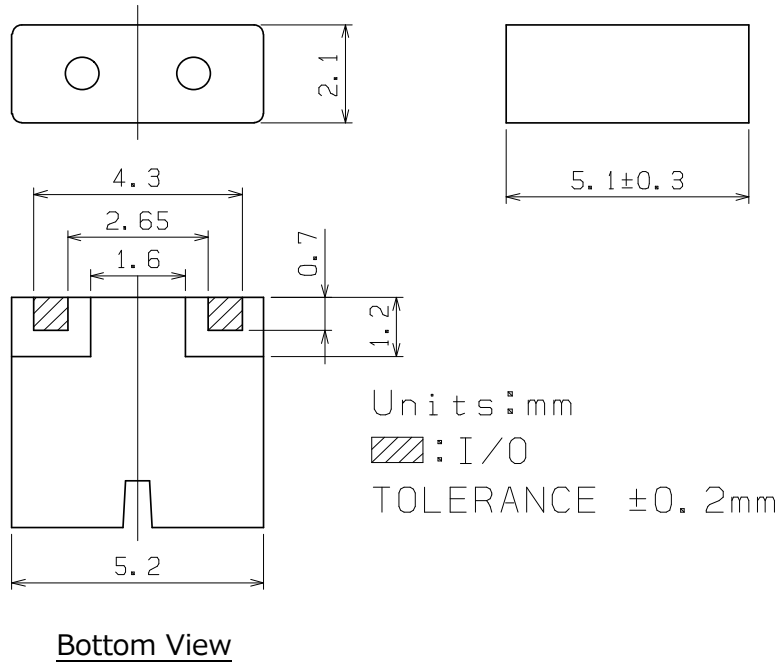
Electrical Specifications

| Parameter | Frequency [MHz] | Specification -40°C to 85°C | Typical Value @25°C |
|------------------|-------------------|-----------------------------|---------------------|
| Center Frequency | 1580.42 | | |
| Band Width | 2 | | |
| Insertion Loss | 1579.42 – 1581.42 | 4.5dB max | 3.1dB |
| Passband Ripple | 1579.42 – 1581.42 | 1.0dB max | 0.1dB |
| VSWR | 1579.42 – 1581.42 | 2 max | 1.5 |
| Attenuation | | | |
| Impedance | | 50 Ohm | 50 Ohm |
| Input power | | 1Watt max | |

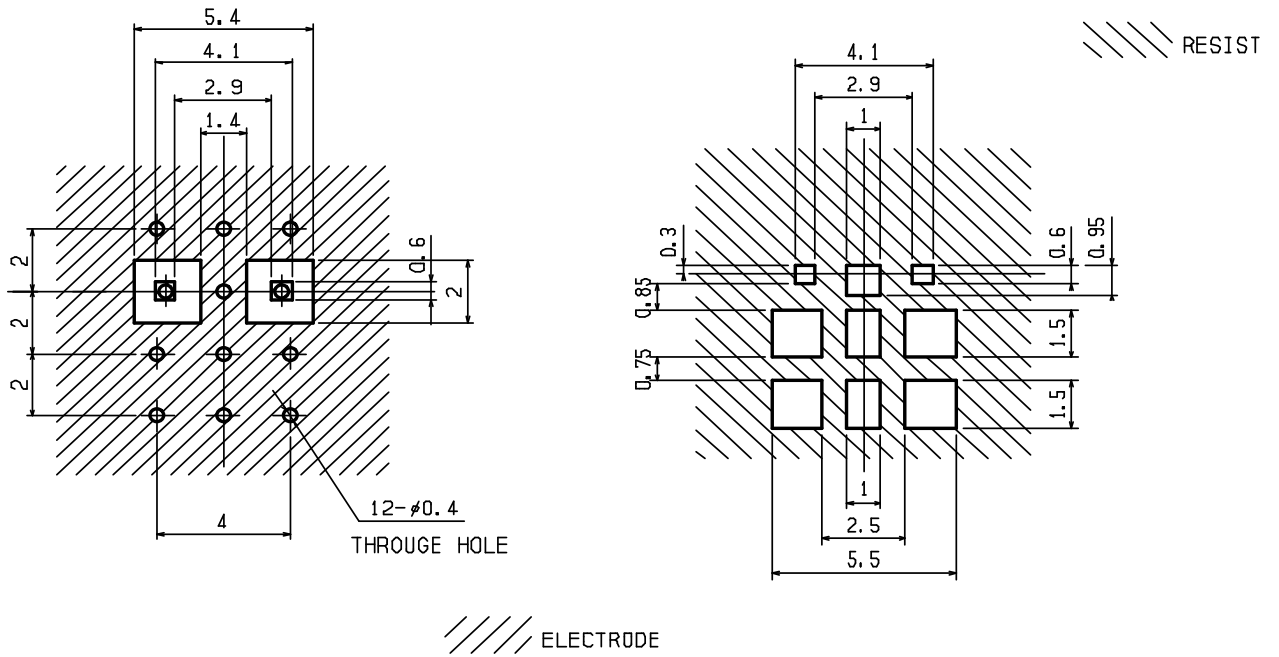
Electrical Performance



Mechanical Dimension



Referenced Land Pattern



Units : mm