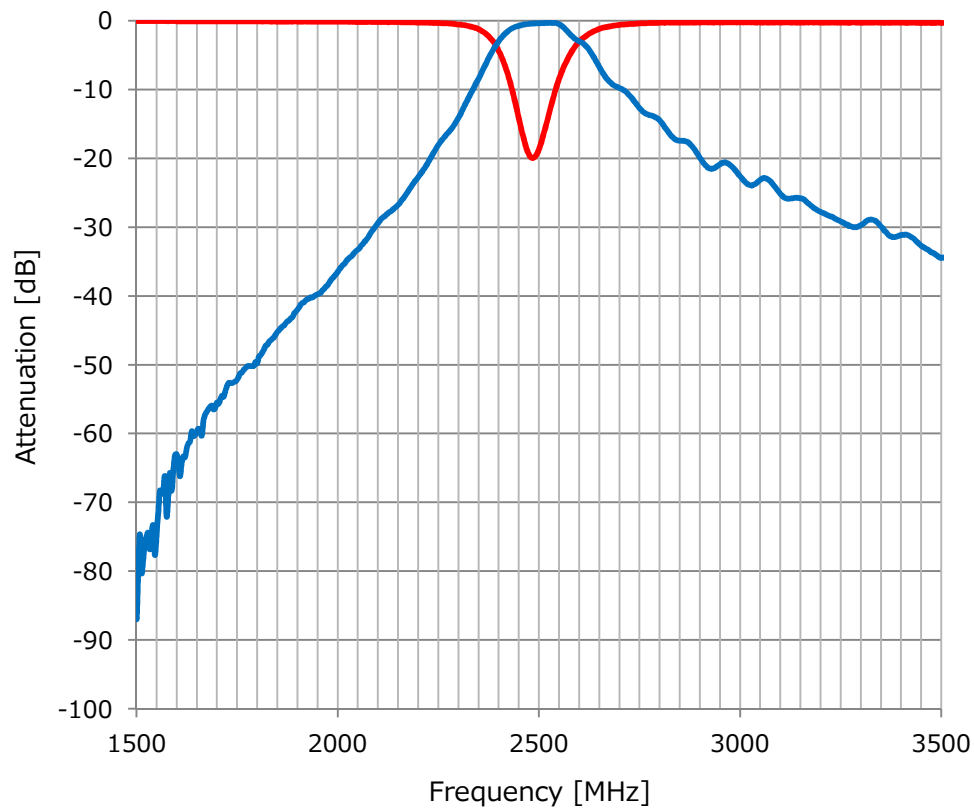


WBPF-F004

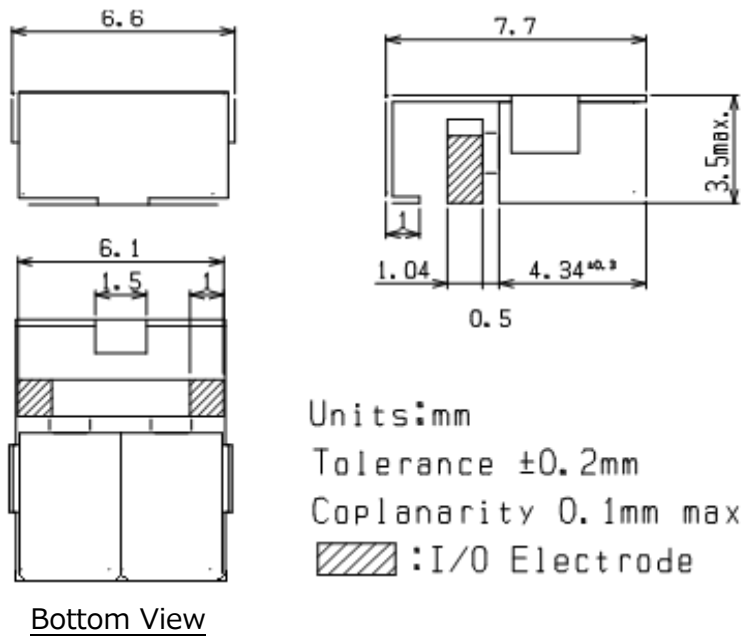
Electrical Specifications

Parameter	Frequency [MHz]	Specification -30°C to 85°C	Typical Value @25°C
Center Frequency	2491.75		
Band Width	16.5		
Insertion Loss	2483.5 – 2500	0.6dB max	0.3dB
Passband Ripple	2483.5 – 2500	0.4dB max	0.1dB
VSWR	2483.5 – 2500	1.5 max	1.3
Attenuation			
Impedance		50 Ohm	50 Ohm
Input power		1Watt max	

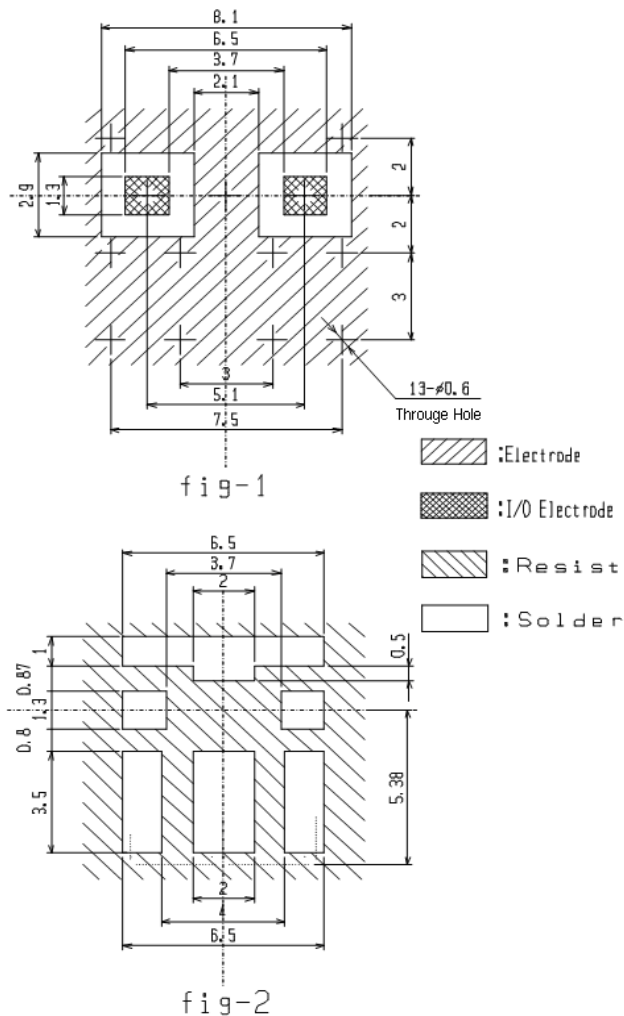
Electrical Performance



Mechanical Dimension



Referenced Land Pattern



Units : mm