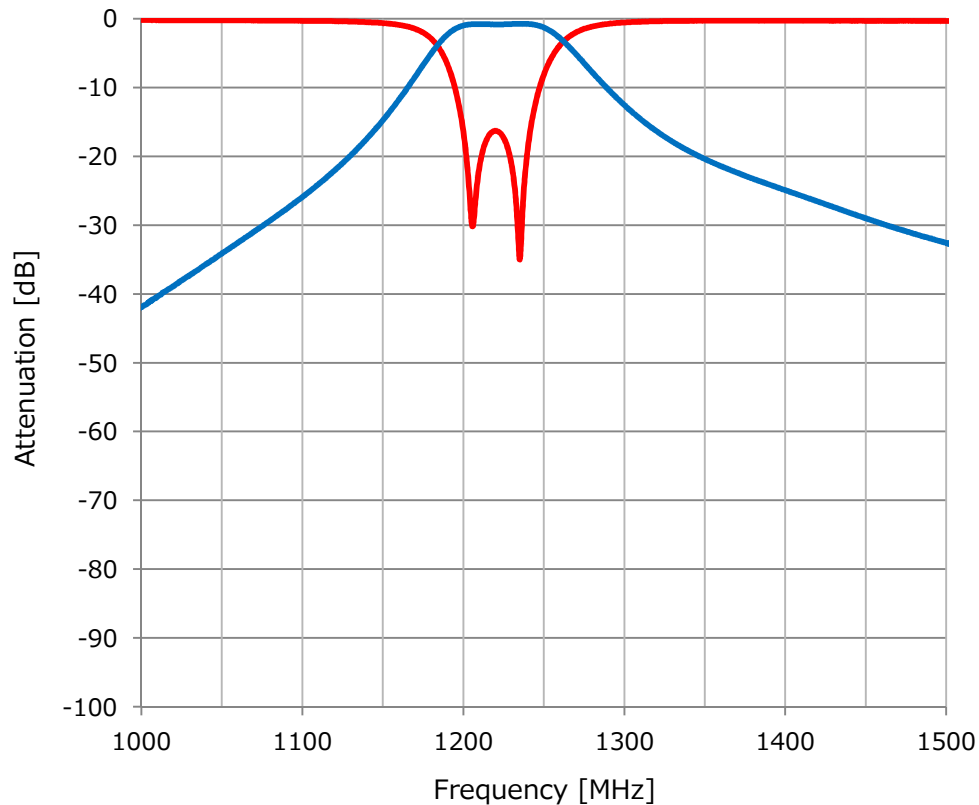


WBPF-F003

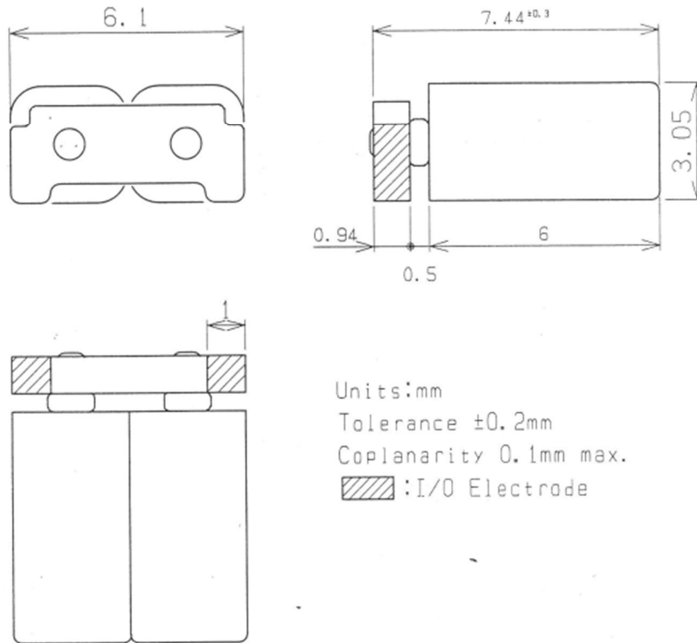
Electrical Specifications

Parameter	Frequency [MHz]	Specification -40°C to 85°C	Typical Value @25°C
Center Frequency	1227		
Band Width	30		
Insertion Loss	1212 – 1242	1.2dB max	0.8dB
Passband Ripple	1212 – 1242	0.5dB max	0.1dB
Return Loss	1212 – 1242	10dB min	14dB
Attenuation			
Impedance		50 Ohm	50 Ohm
Input power		1Watt max	

Electrical Performance



Mechanical Dimension



Referenced Land Pattern

