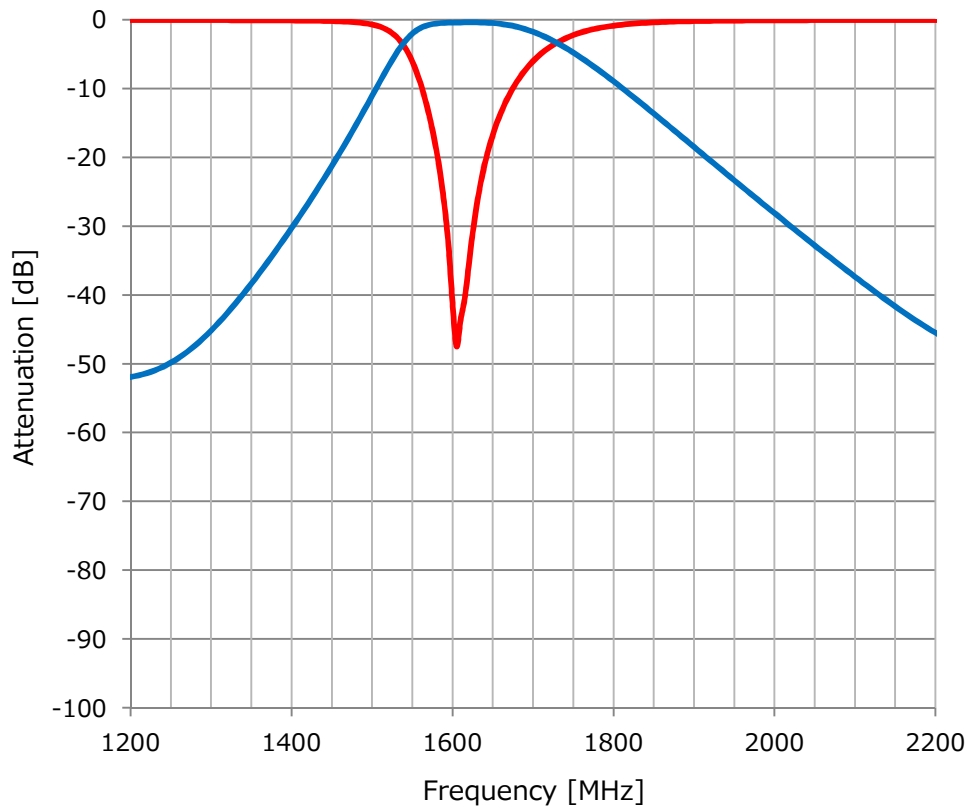


## WBPF-F002

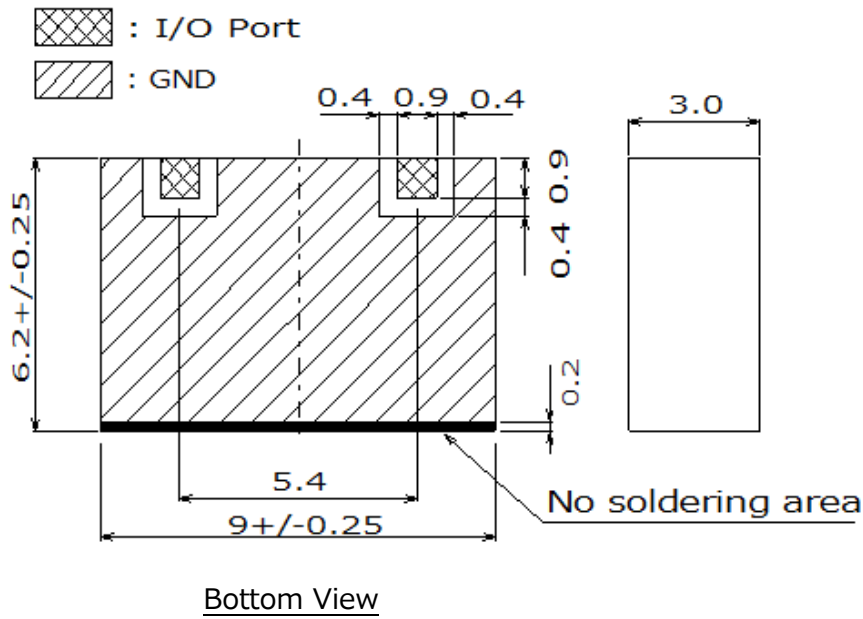
### Electrical Specifications

Parameter	Frequency [MHz]	Specification -40°C to 85°C	Typical Value @25°C
Center Frequency	1616		
Band Width	10		
Insertion Loss	1611 – 1621	0.7dB max	0.5dB
Passband Ripple	1611 – 1621	-	-
VSWR	1611 – 1621	1.5 max	1.25
Attenuation			
Impedance		50 Ohm	50 Ohm
Input power		2Watt max	

### Electrical Performance



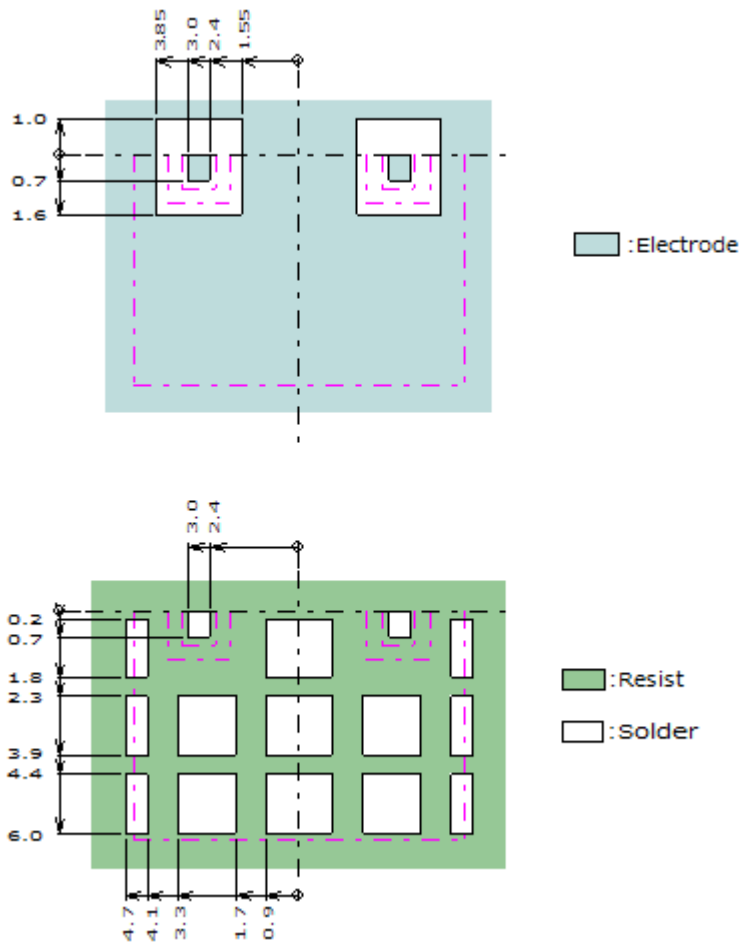
Mechanical Dimension



Units : mm

Tolerance unless otherwise specified :  $\pm$ 0.2mm

Referenced Land Pattern



Units : mm