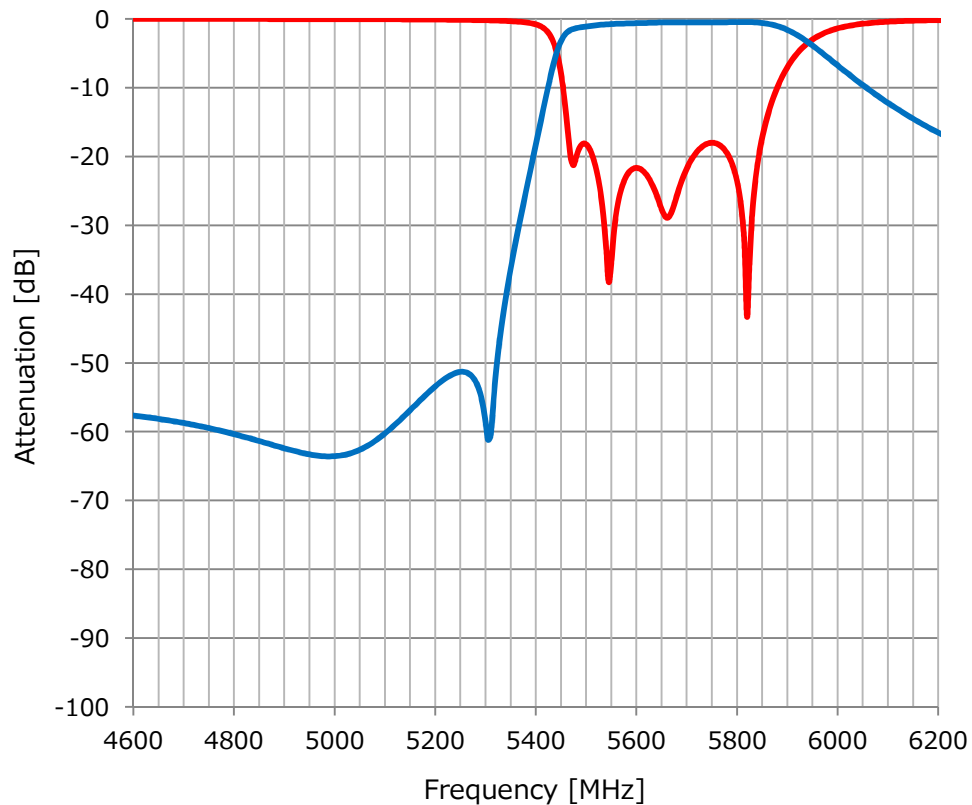


## WBPF-E003

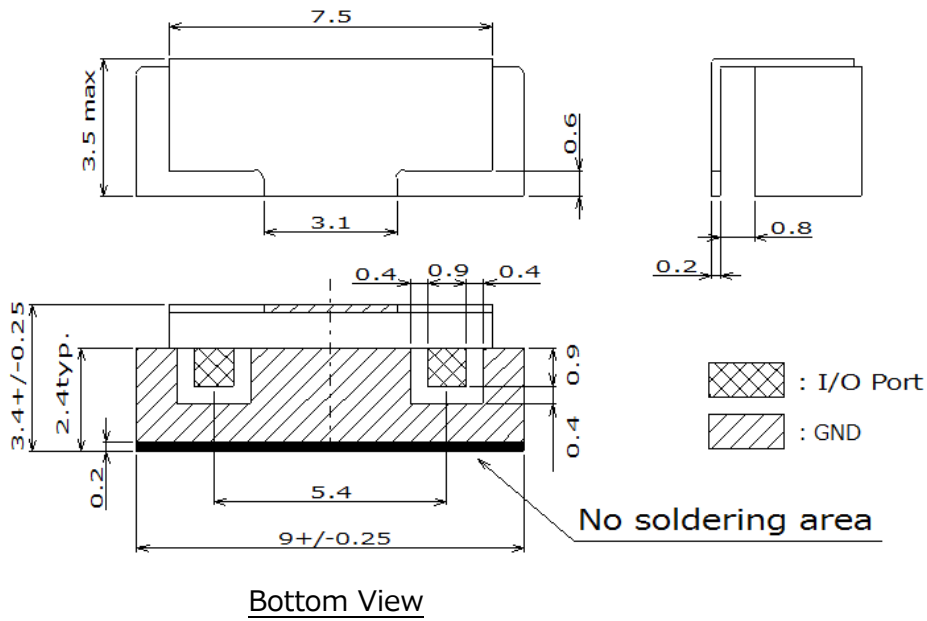
### Electrical Specifications

Parameter	Frequency [MHz]	Specification -40°C to 85°C	Typical Value @25°C
Center Frequency	5665		
Band Width	370		
Insertion Loss	5480 – 5850	2.1dB max	1.4dB
Passband Ripple	5480 – 5850	1.2dB max	1.0dB
Return Loss	5480 – 5850	10dB min	14dB
Attenuation			
Impedance		50 Ohm	50 Ohm
Input power		1Watt max	

### Electrical Performance



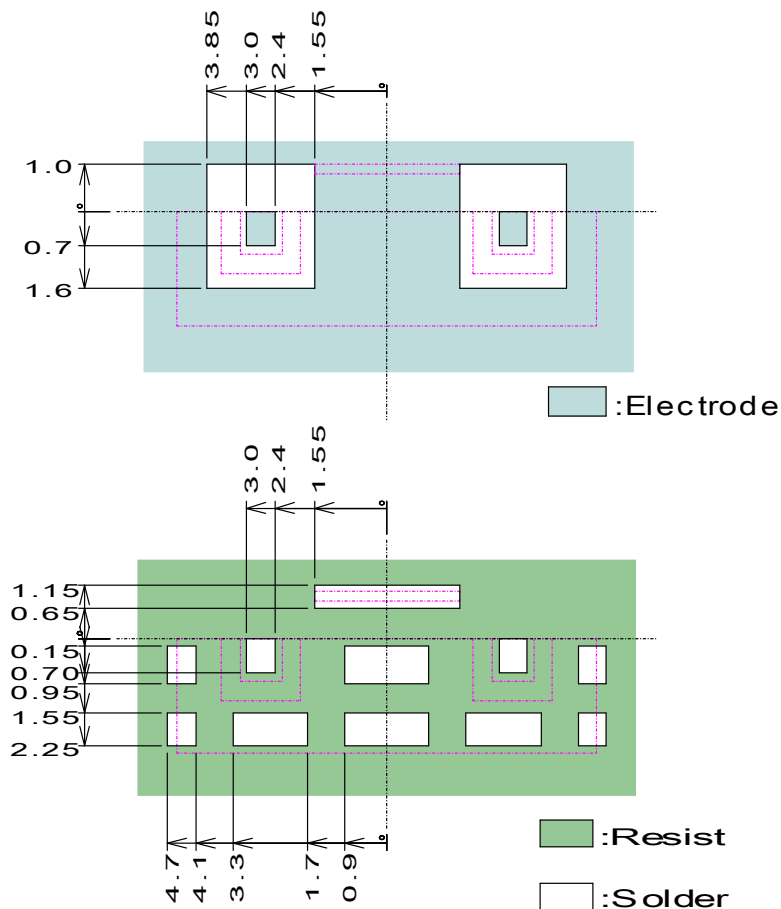
Mechanical Dimension



Units : mm

Tolerance unless otherwise specified : +/-0.2mm

Referenced Land Pattern



Units : mm