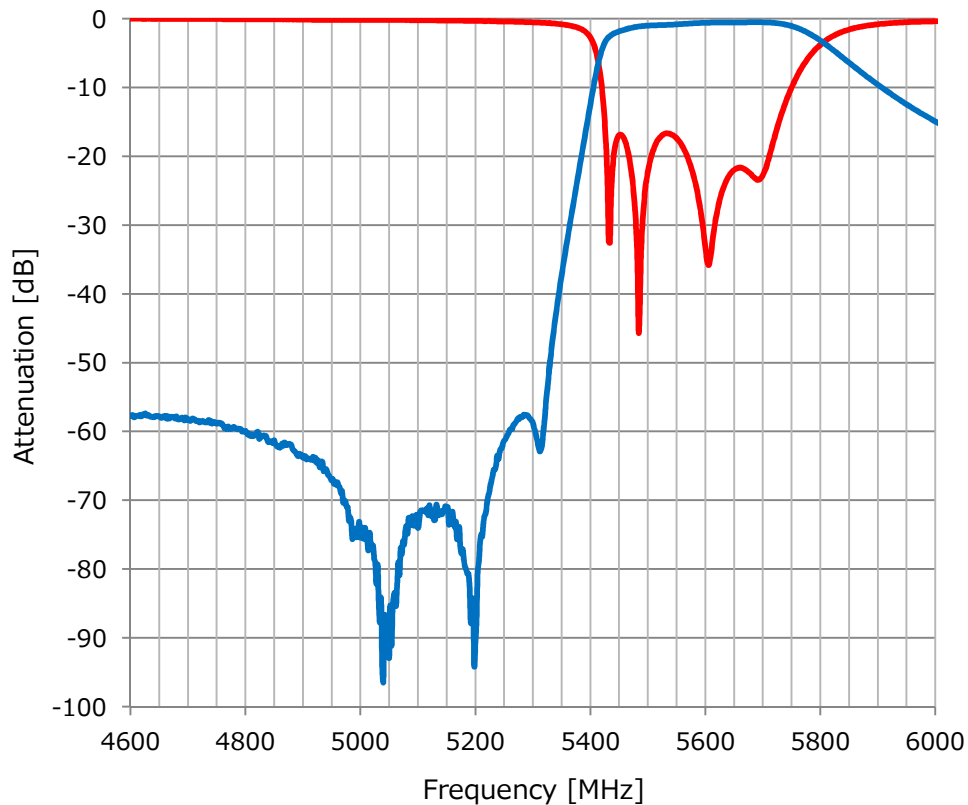


WBPF-E002

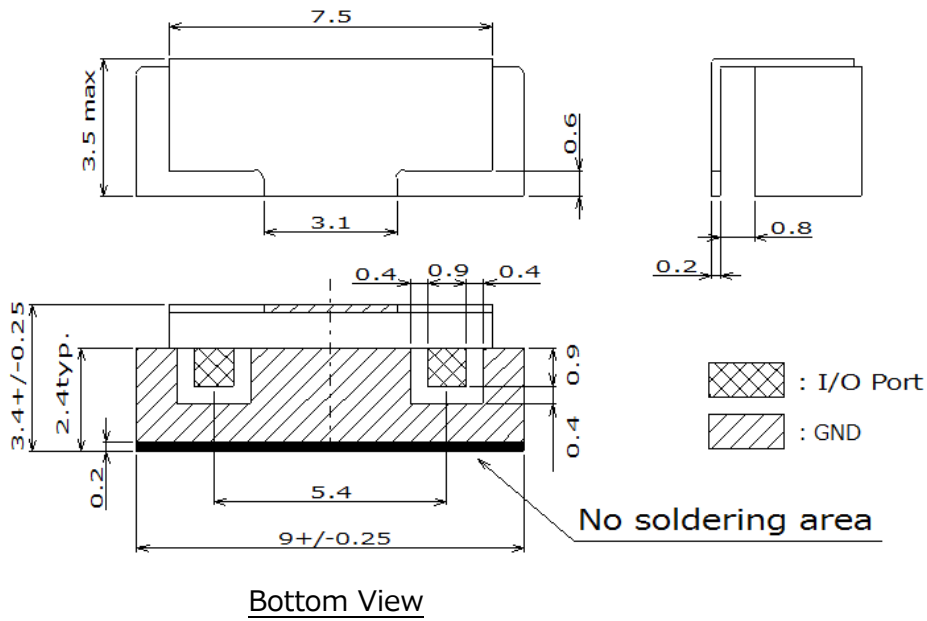
Electrical Specifications

Parameter	Frequency [MHz]	Specification -40°C to 85°C	Typical Value @25°C
Center Frequency	5600		
Band Width	240		
Insertion Loss	5480 – 5720	2.0dB max	1.5dB
Passband Ripple	5480 – 5720	1.0dB max	0.7dB
Return Loss	5480 – 5720	10dB min	15dB
Attenuation			
Impedance		50 Ohm	50 Ohm
Input power		1Watt max	

Electrical Performance



Mechanical Dimension



Tolerance unless otherwise specified : +/-0.2mm

Referenced Land Pattern

