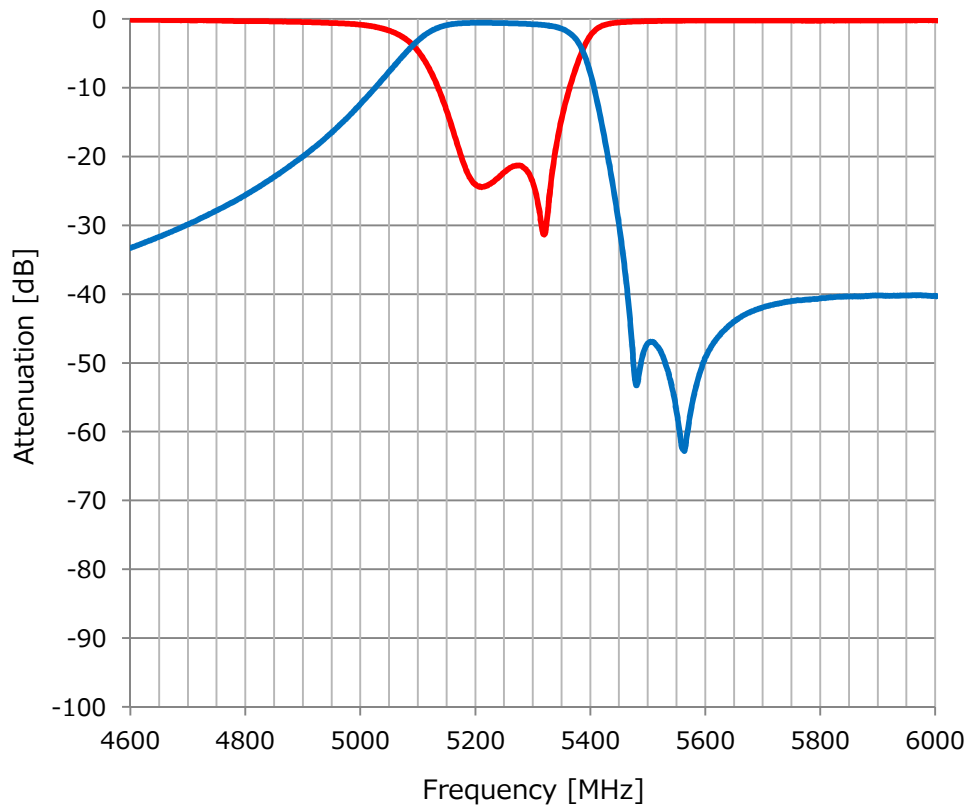


# WBPF-E001

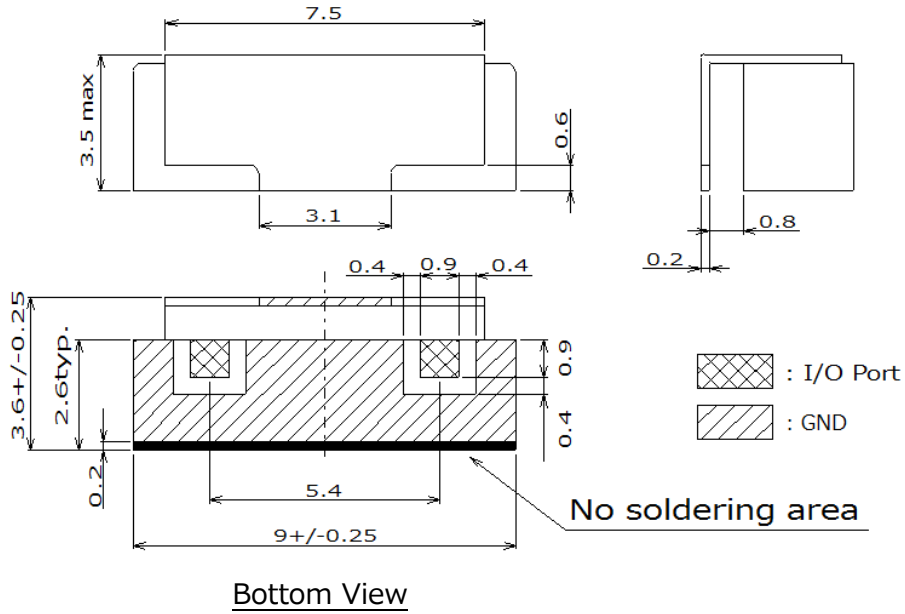
## Electrical Specifications

Parameter	Frequency [MHz]	Specification -40°C to 85°C	Typical Value @25°C
Center Frequency	5250		
Band Width	180		
Insertion Loss	5160 – 5340	3.0dB max	1.5dB
Passband Ripple	5160 – 5340	1.5dB max	0.7dB
Return Loss	5160 – 5340	10dB min	14dB
Attenuation			
Impedance		50 Ohm	50 Ohm
Input power		1Watt max	

## Electrical Performance



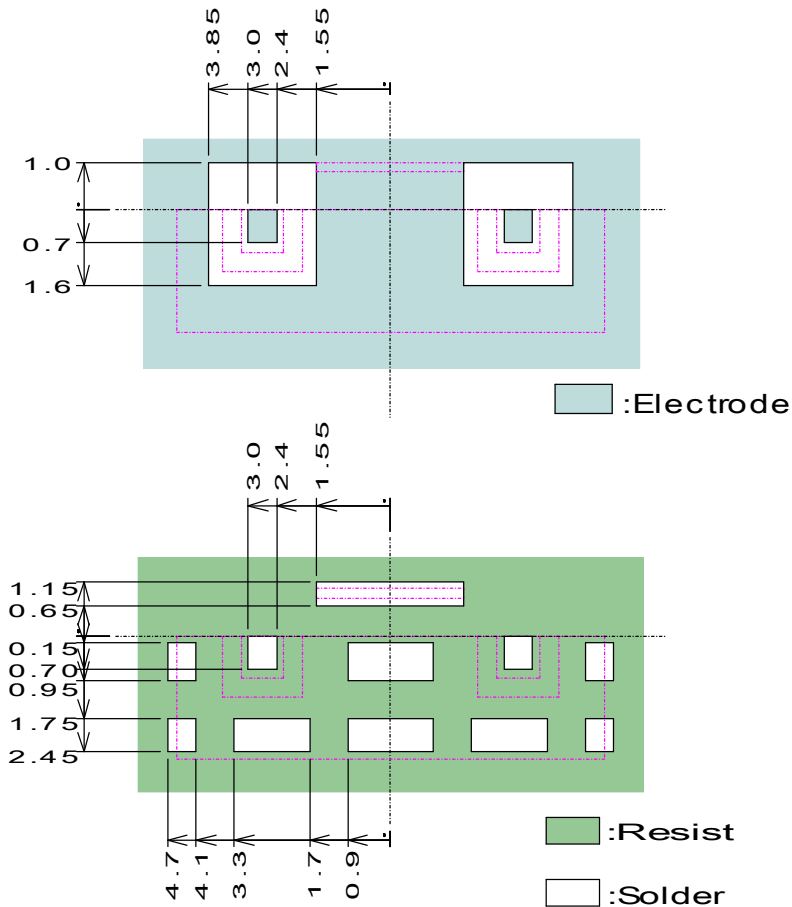
Mechanical Dimension



Units : mm

Tolerance unless otherwise specified : +/-0.2mm

Referenced Land Pattern



Units : mm