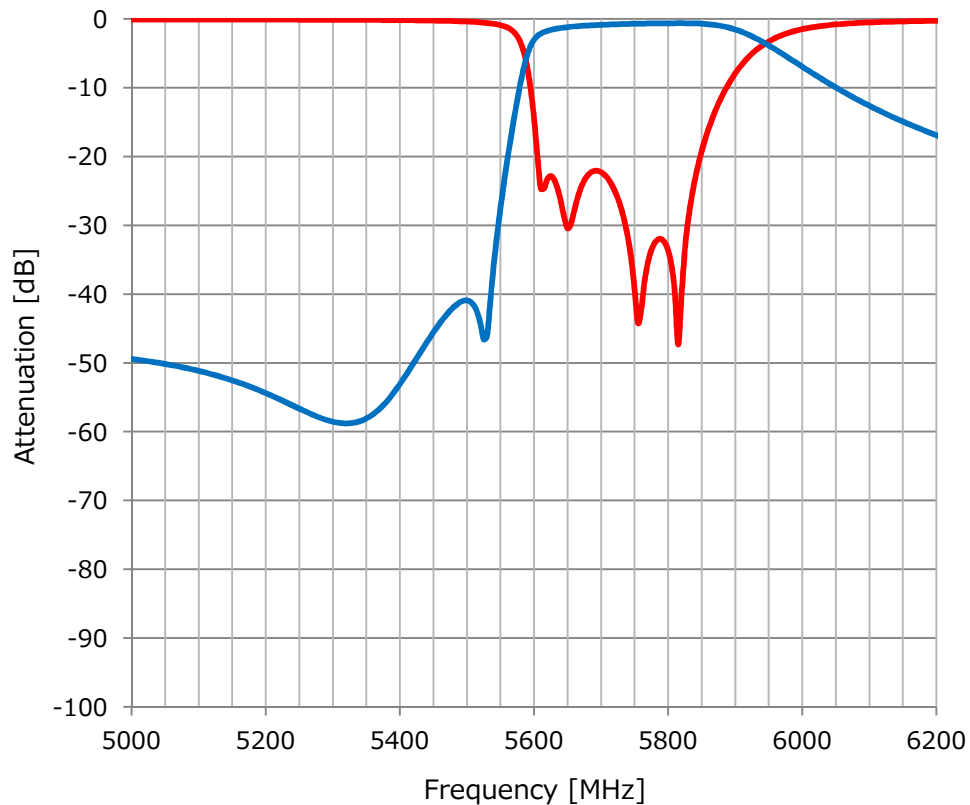


WBPF-D019

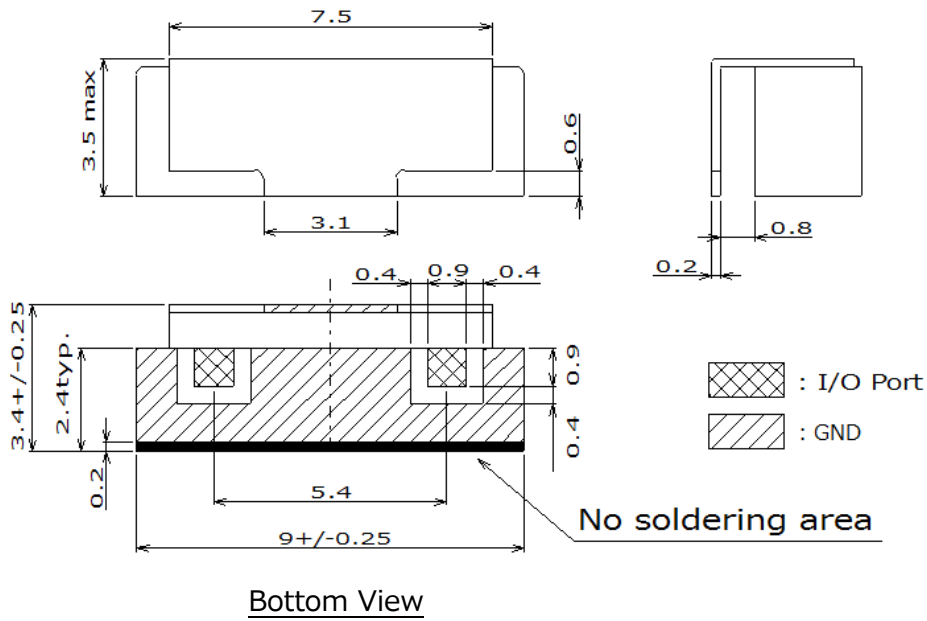
Electrical Specifications

Parameter	Frequency [MHz]	Specification -40°C to 85°C	Typical Value @25°C
Center Frequency	5687.5		
Band Width	75		
Insertion Loss	5650 – 5725	1.5dB max	1.2dB
Passband Ripple	5650 – 5725	1.5dB max	0.4dB
Return Loss	5650 – 5725	10dB min	15dB
Attenuation			
Impedance		50 Ohm	50 Ohm
Input power		1Watt max	

Electrical Performance



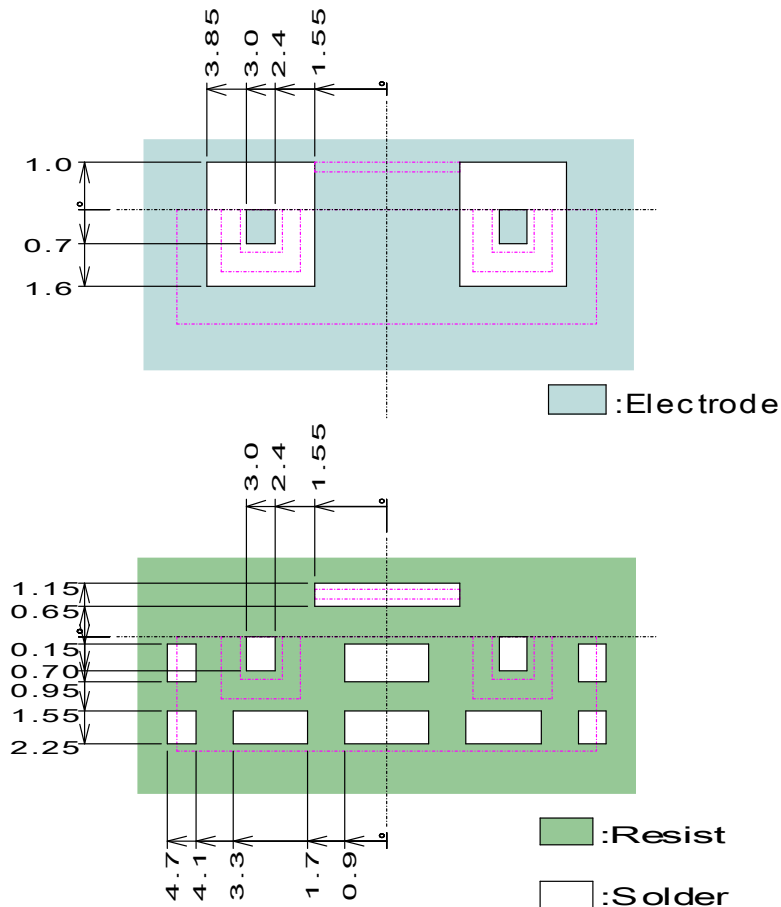
Mechanical Dimension



Units : mm

Tolerance unless otherwise specified : +/-0.2mm

Referenced Land Pattern



Units : mm