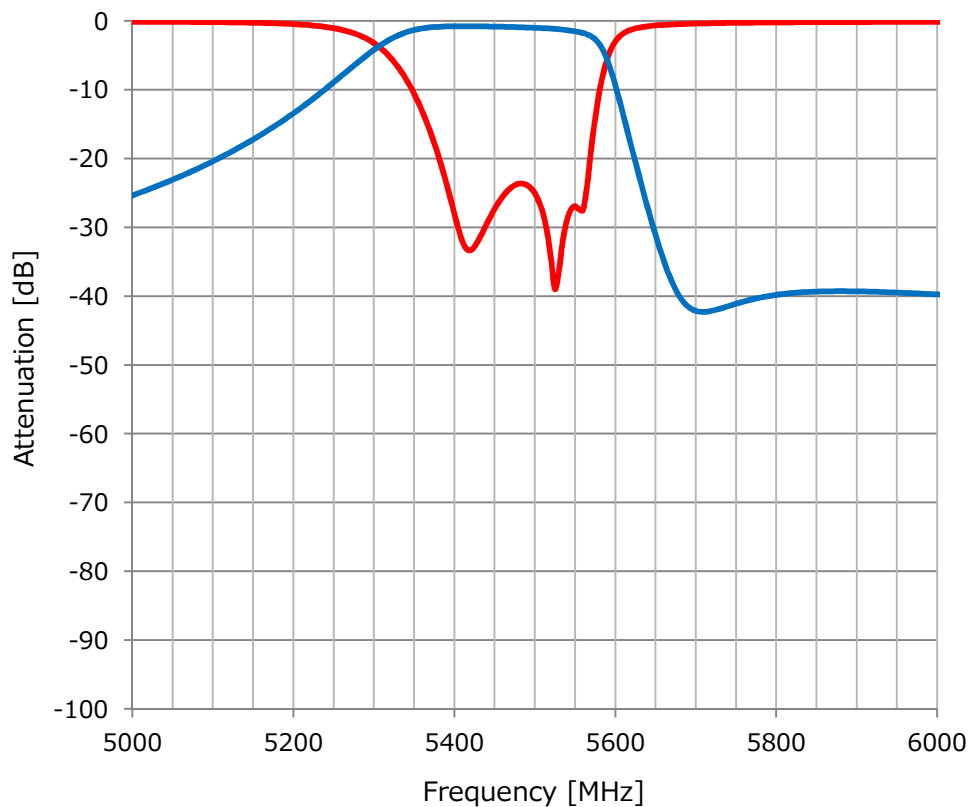


WBPF-D018

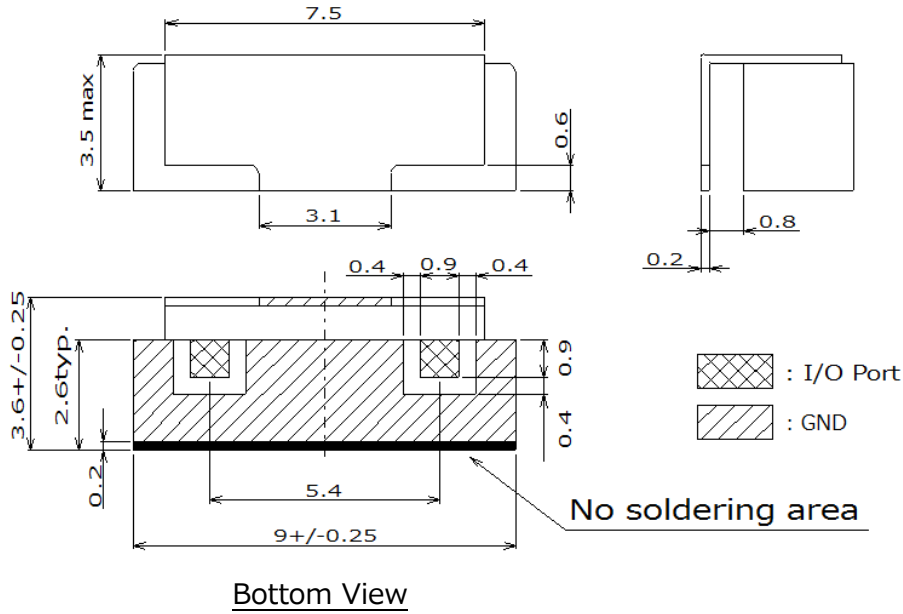
Electrical Specifications

| Parameter | Frequency [MHz] | Specification -40°C to 85°C | Typical Value @25°C |
|------------------|-----------------|-----------------------------|---------------------|
| Center Frequency | 5507.5 | | |
| Band Width | 75 | | |
| Insertion Loss | 5470 – 5545 | 1.8dB max | 1.3dB |
| Passband Ripple | 5470 – 5545 | 1.5dB max | 0.5dB |
| Return Loss | 5470 – 5545 | 10dB min | 15dB |
| Attenuation | | | |
| Impedance | | 50 Ohm | 50 Ohm |
| Input power | | 1Watt max | |

Electrical Performance



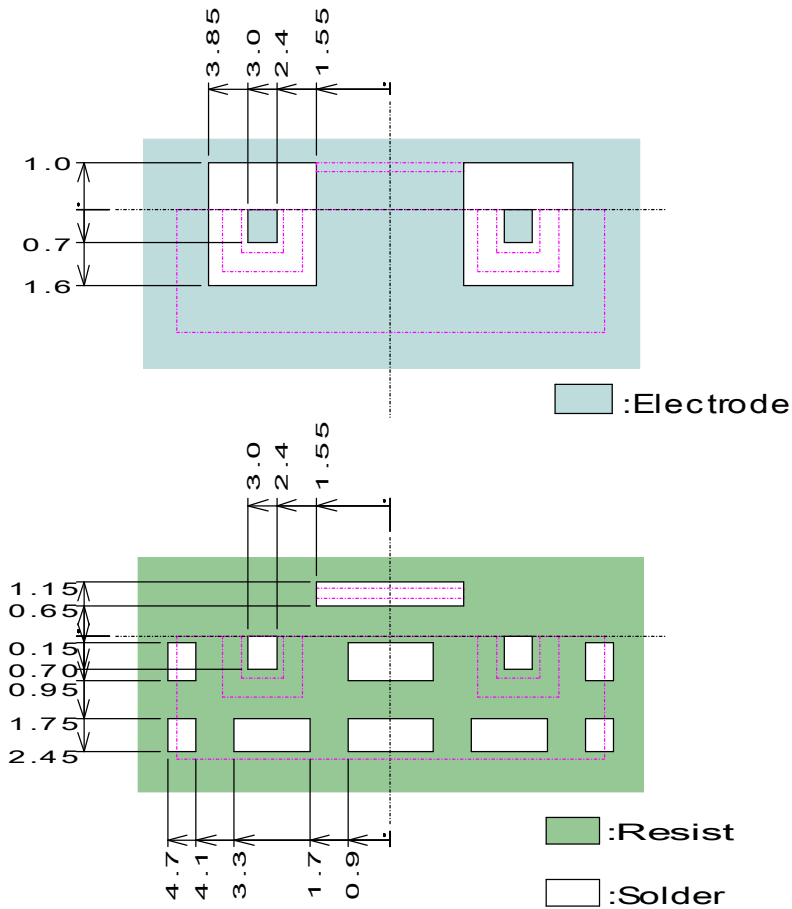
Mechanical Dimension



Units : mm

Tolerance unless otherwise specified : +/-0.2mm

Referenced Land Pattern



Units : mm