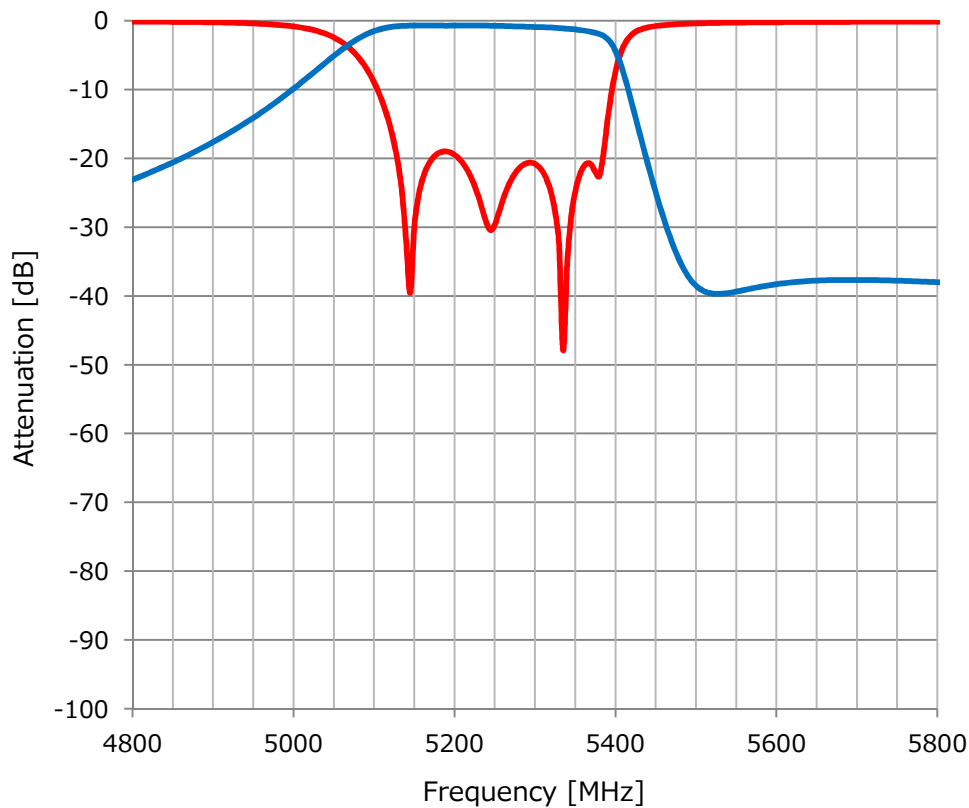


# WBPF-D016

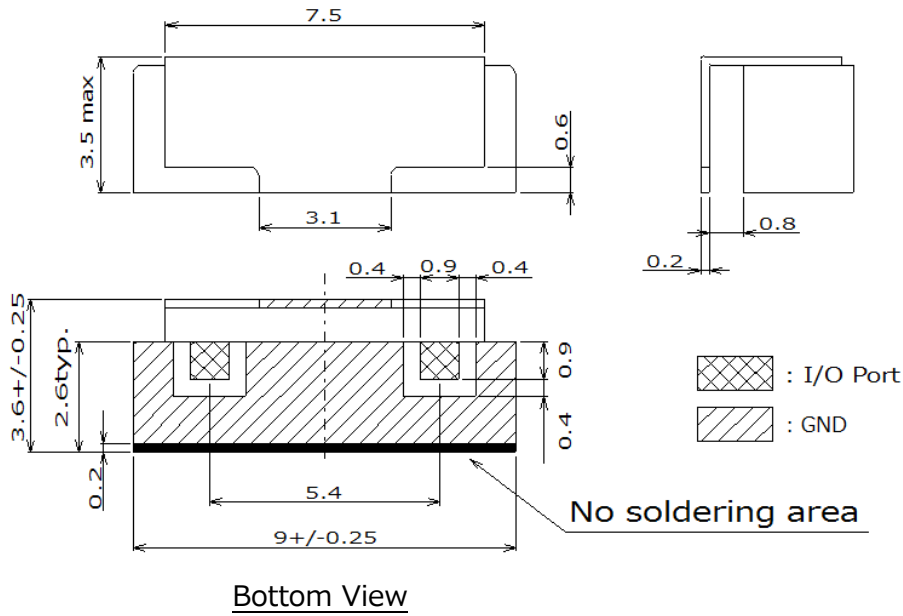
## Electrical Specifications

Parameter	Frequency [MHz]	Specification -40°C to 85°C	Typical Value @25°C
Center Frequency	5250		
Band Width	200		
Insertion Loss	5150 – 5350	1.8dB max	1.3dB
Passband Ripple	5150 – 5350	1.5dB max	0.6dB
Return Loss	5150 – 5350	10dB min	15dB
Attenuation			
Impedance		50 Ohm	50 Ohm
Input power		1Watt max	

## Electrical Performance



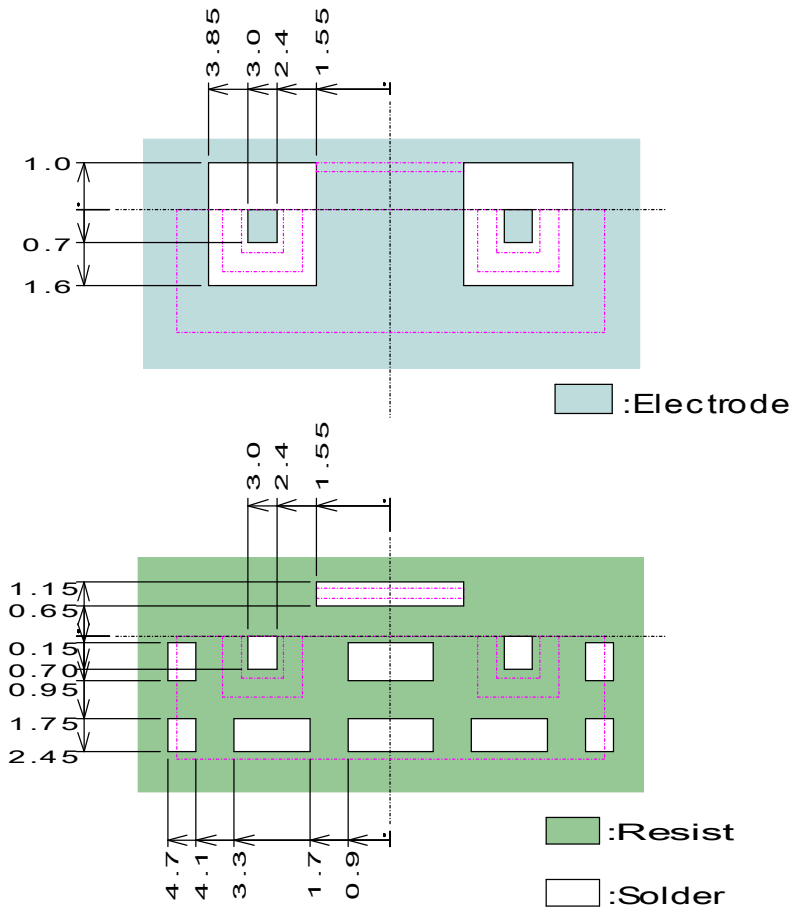
Mechanical Dimension



Units : mm

Tolerance unless otherwise specified : +/-0.2mm

Referenced Land Pattern



Units : mm