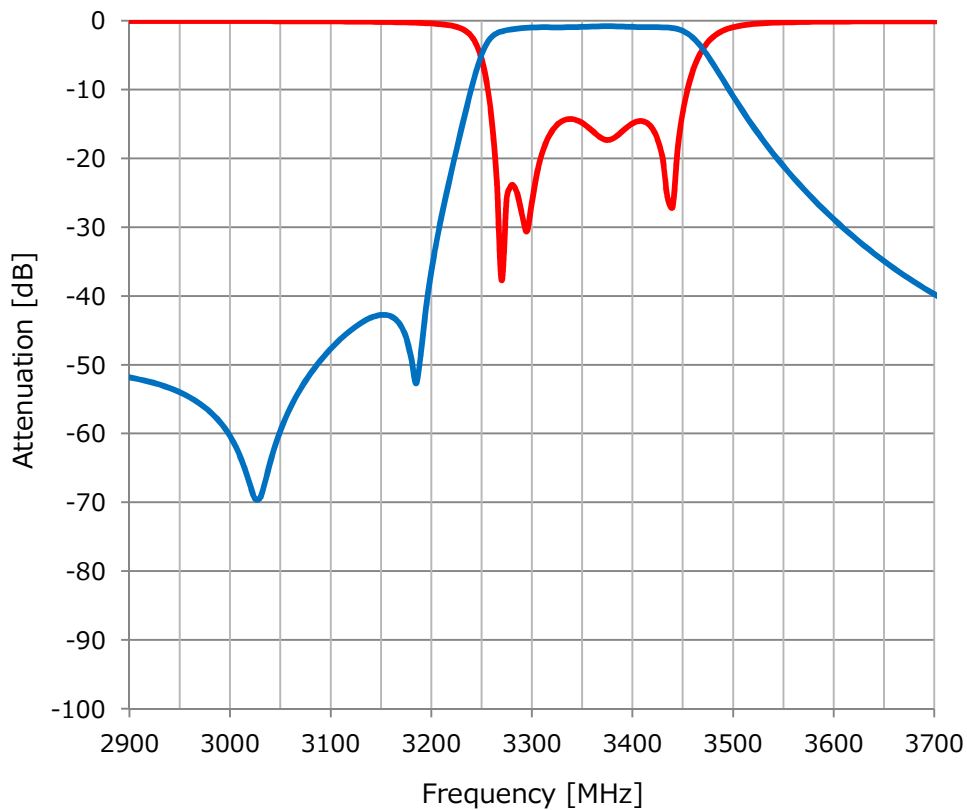


WBPF-D014

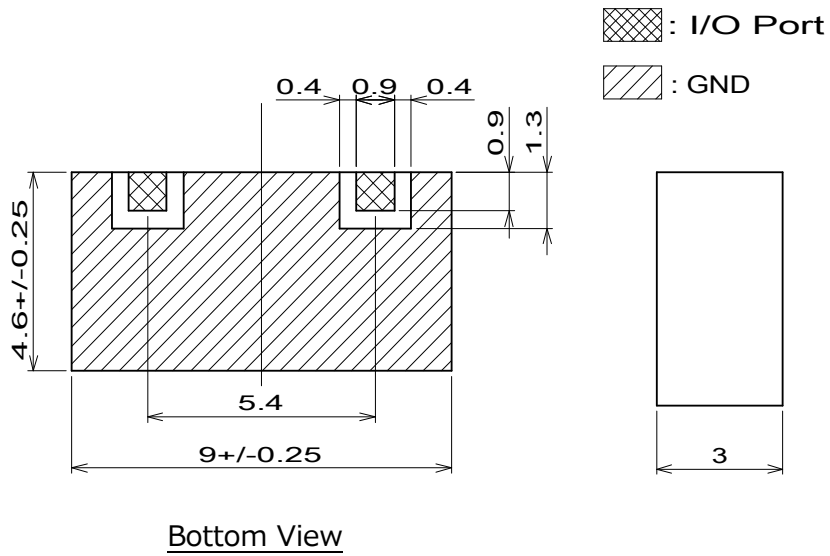
Electrical Specifications

Parameter	Frequency [MHz]	Specification -40°C to 85°C	Typical Value @25°C
Center Frequency	3370		
Band Width	100		
Insertion Loss	3320 – 3420	2.0dB max	1.1dB
Passband Ripple	3320 – 3420	0.5dB max	0.2dB
VSWR	3320 – 3420	1.7 max	1.5
Attenuation			
Impedance		50 Ohm	50 Ohm
Input power		1Watt max	

Electrical Performance



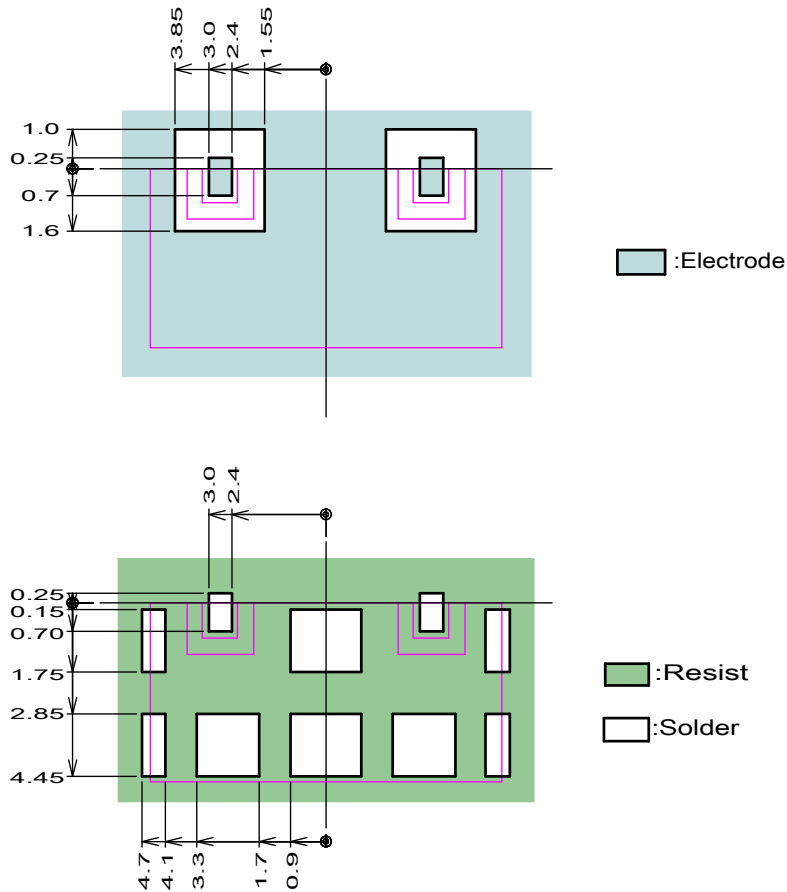
Mechanical Dimension



Units : mm

Tolerance unless otherwise specified : $\pm 0.2\text{mm}$

Referenced Land Pattern



Units : mm