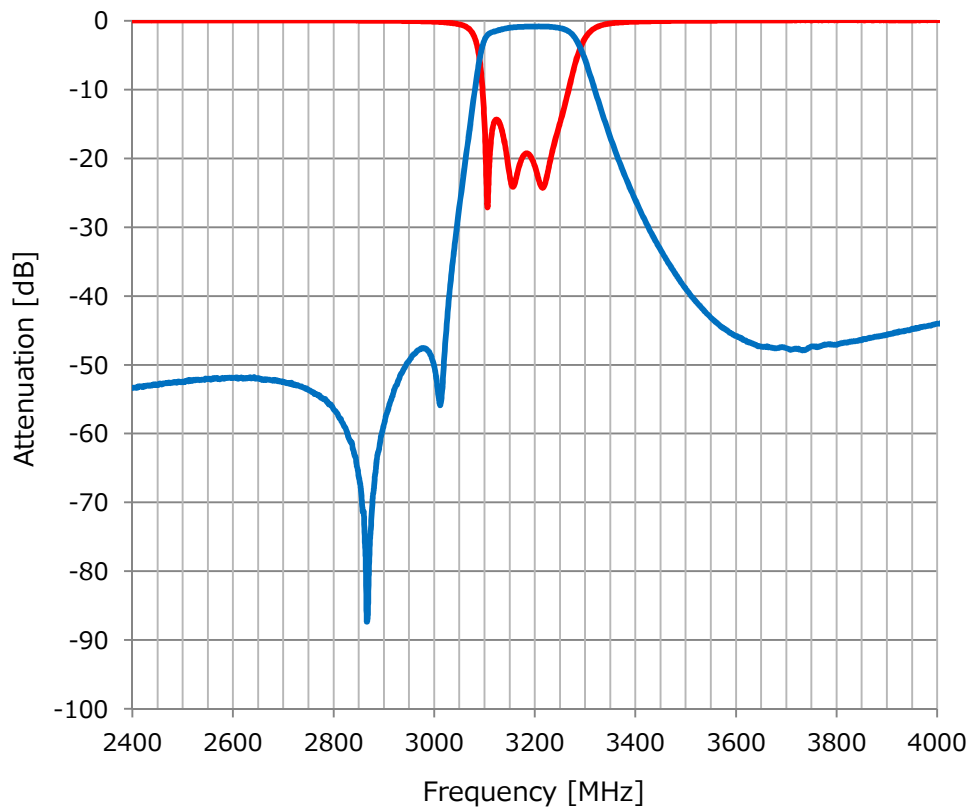


WBPF-D011

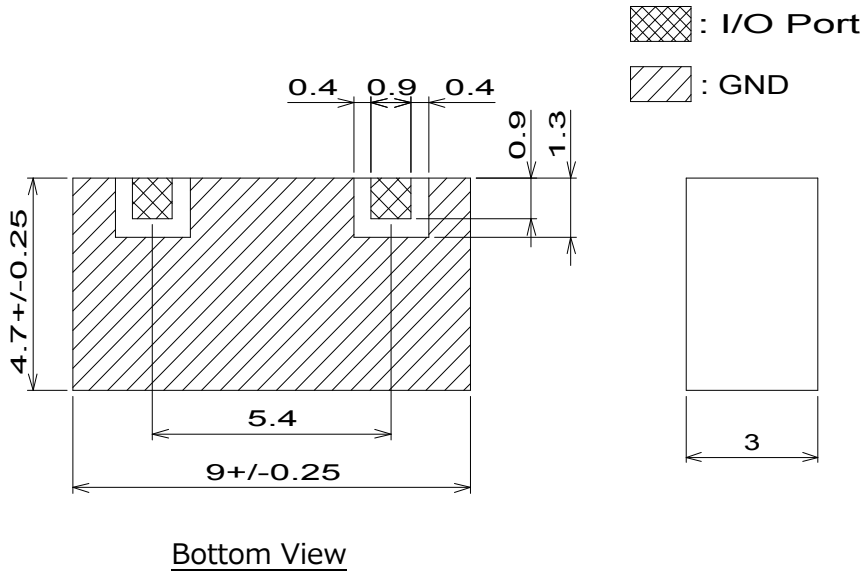
Electrical Specifications

Parameter	Frequency [MHz]	Specification -40°C to 85°C	Typical Value @25°C
Center Frequency	3200		
Band Width	100		
Insertion Loss	3150 – 3250	2.0dB max	1.1dB
Passband Ripple	3150 – 3250	0.5dB max	0.2dB
VSWR	3150 – 3250	1.7 max	1.5
Attenuation			
Impedance		50 Ohm	50 Ohm
Input power		1Watt max	

Electrical Performance



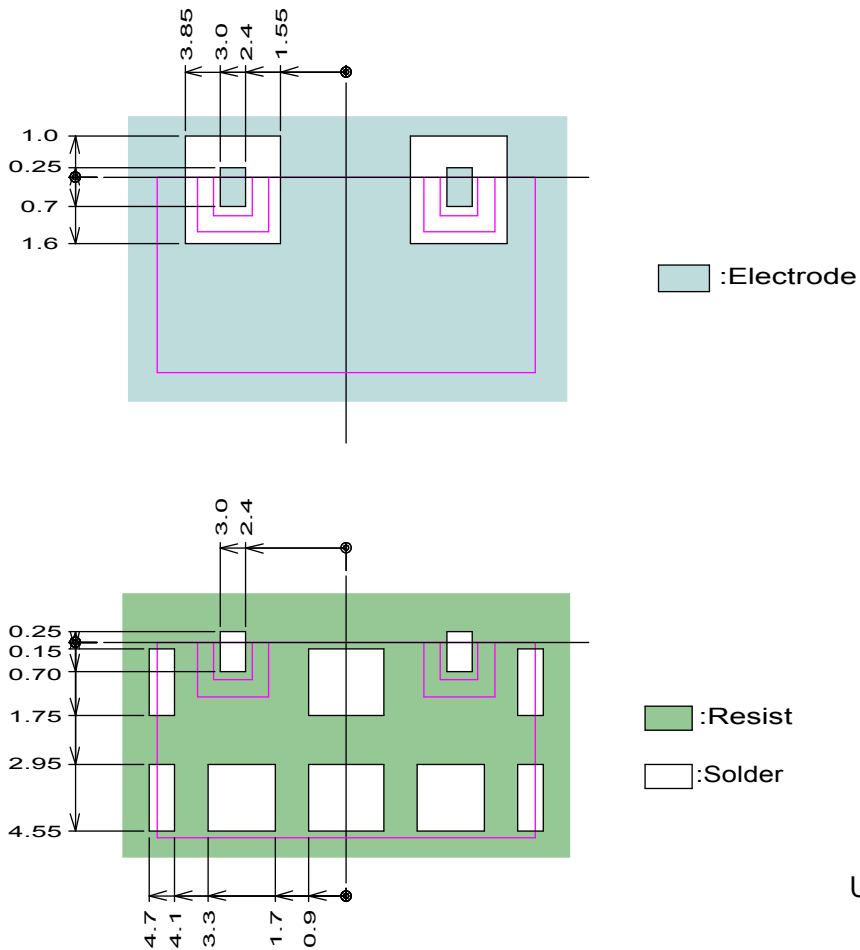
Mechanical Dimension



Units : mm

Tolerance unless otherwise specified : +/-0.2mm

Referenced Land Pattern



Units : mm