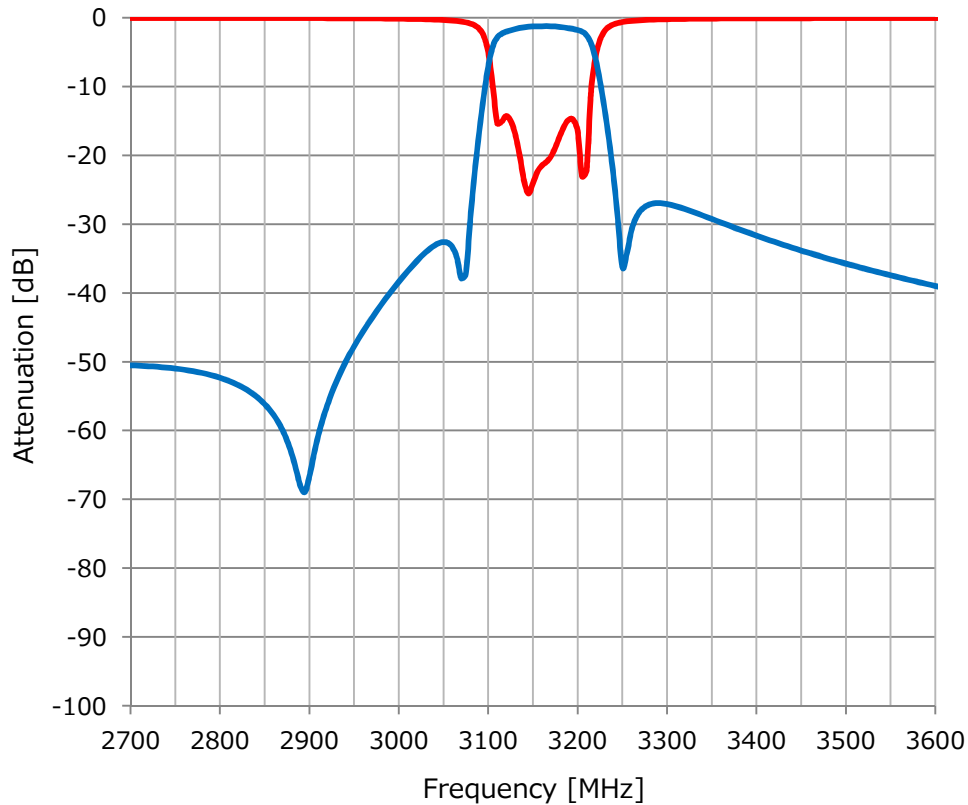


# WBPF-D010

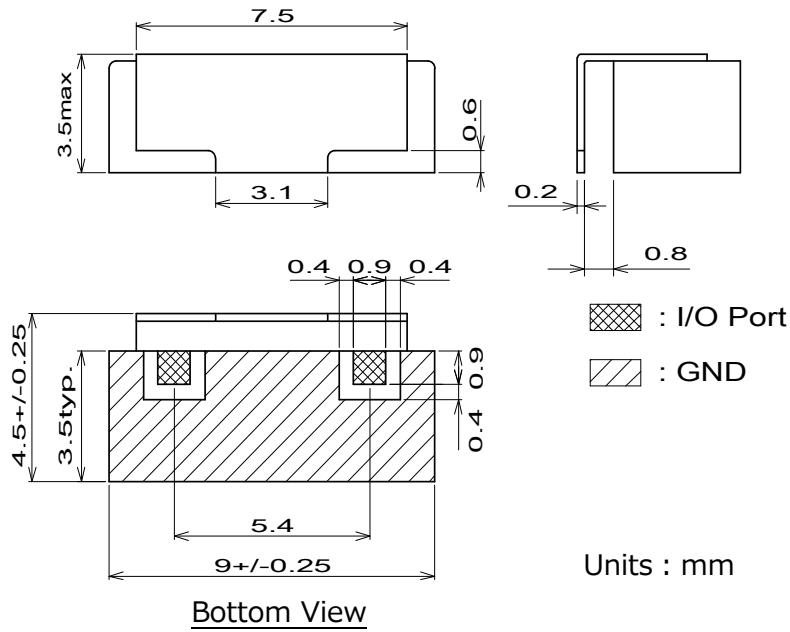
## Electrical Specifications

Parameter	Frequency [MHz]	Specification -40°C to 85°C	Typical Value @25°C
Center Frequency	3160		
Band Width	60		
Insertion Loss	3130 – 3190	2.1dB max	1.6dB
Passband Ripple	3130 – 3190	0.7dB max	0.3dB
VSWR	3130 – 3190	1.7 max	1.5
Attenuation			
Impedance		50 Ohm	50 Ohm
Input power		1Watt max	

## Electrical Performance



Mechanical Dimension



Tolerance unless otherwise specified : +/-0.2mm

Referenced Land Pattern

