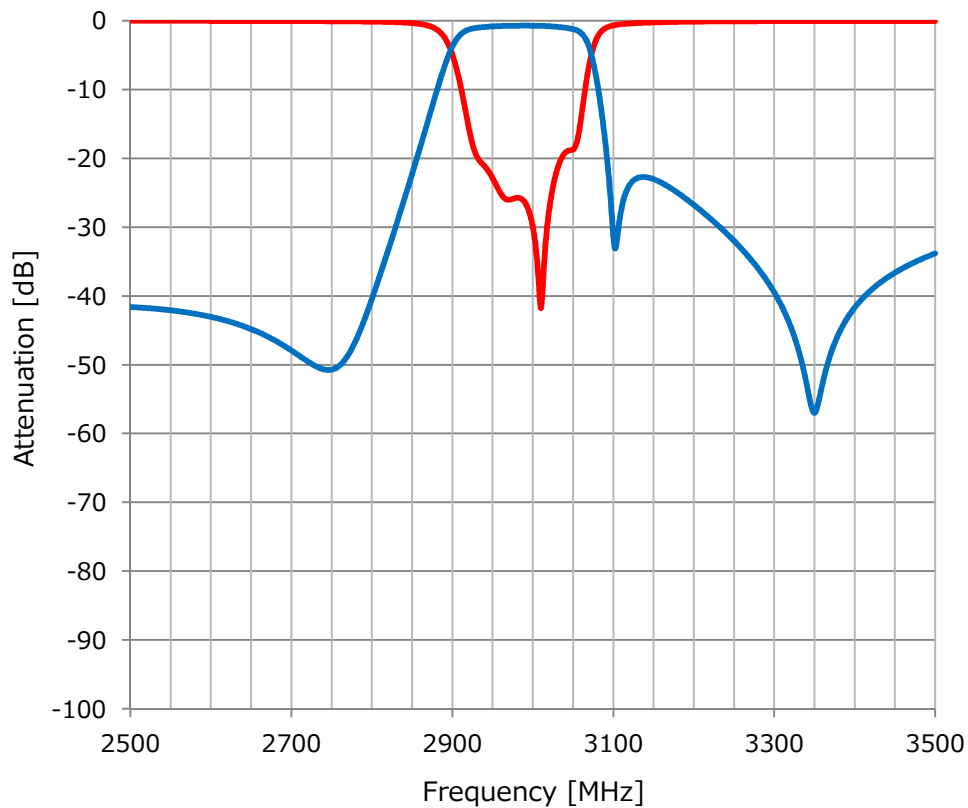


# WBPF-D008

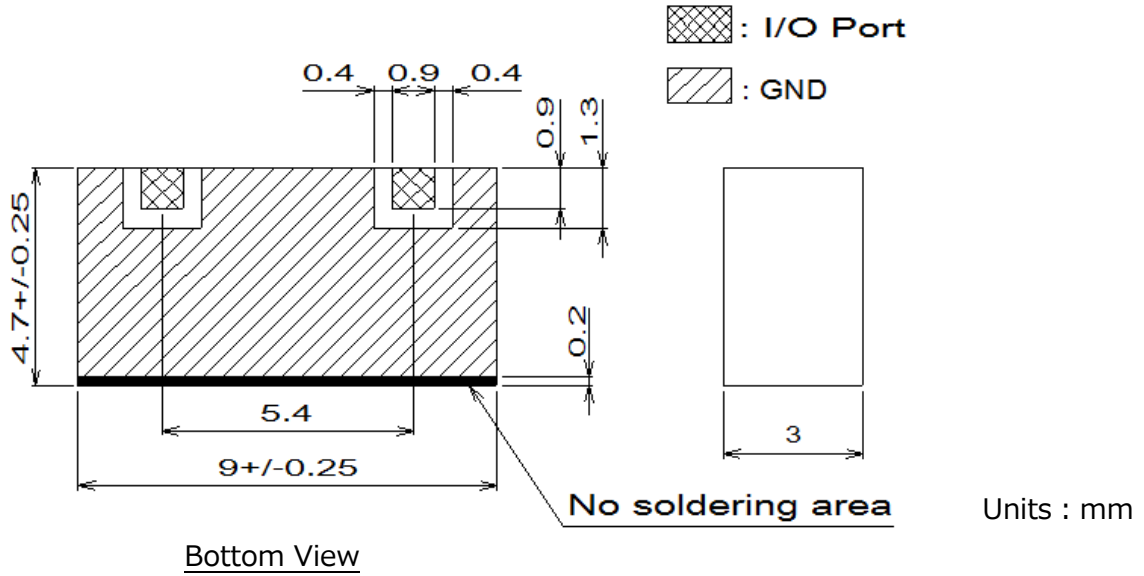
## Electrical Specifications

Parameter	Frequency [MHz]	Specification -40°C to 85°C	Typical Value @25°C
Center Frequency	2900		
Band Width	102		
Insertion Loss	2849 – 2951	2.0dB max	1.0dB
Passband Ripple	2849 – 2951	0.5dB max	0.35dB
Return Loss	2849 – 2951	15dB min	18dB
Attenuation			
Impedance		50 Ohm	50 Ohm
Input power		1Watt max	

## Electrical Performance



Mechanical Dimension



Tolerance unless otherwise specified : +/-0.2mm

Referenced Land Pattern

