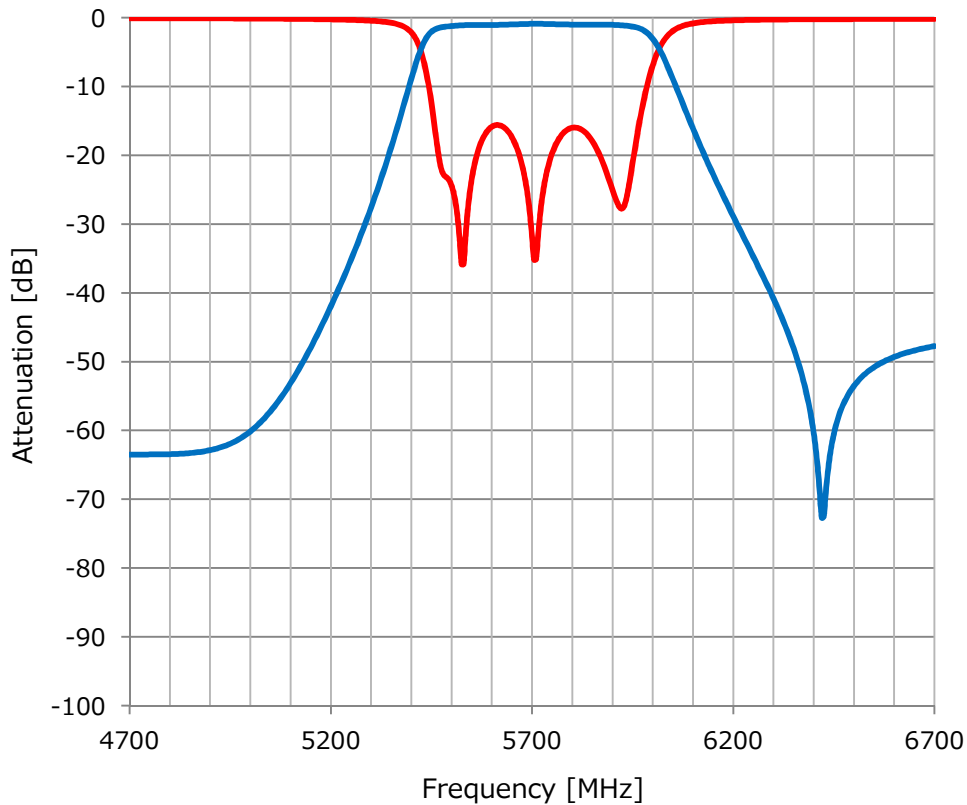


## WBPF-D005

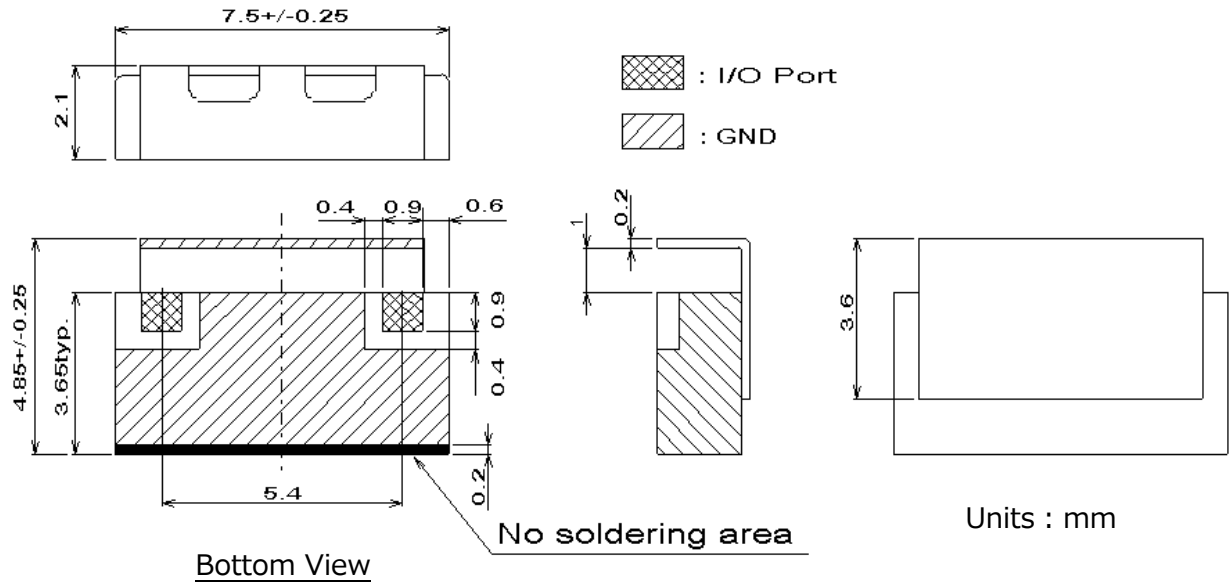
### Electrical Specifications

Parameter	Frequency [MHz]	Specification -40°C to 85°C	Typical Value @25°C
Center Frequency	5710		
Band Width	480		
Insertion Loss	5470 – 5950	2.6dB max	1.6dB
Passband Ripple	5470 – 5950	1.0dB max	0.7dB
Return Loss	5470 – 5950	10dB min	14dB
Attenuation			
Impedance		50 Ohm	50 Ohm
Input power		1Watt max	

### Electrical Performance



Mechanical Dimension



Tolerance unless otherwise specified :  $\pm 0.2\text{mm}$

Referenced Land Pattern

