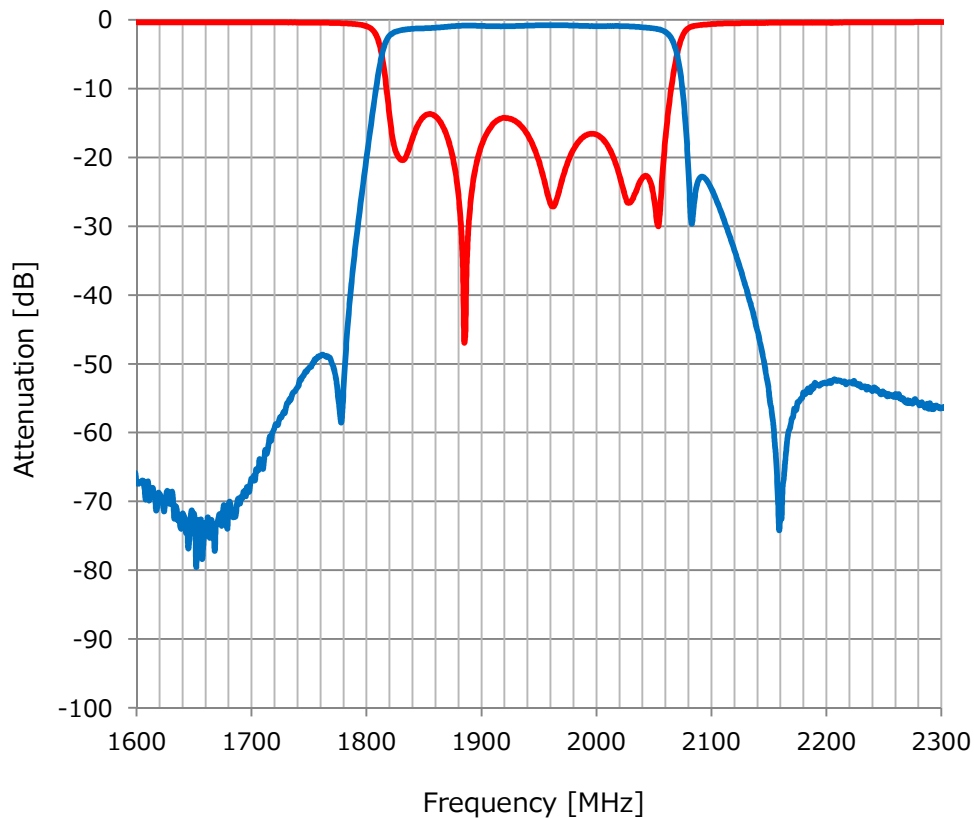


## WBPF-B003

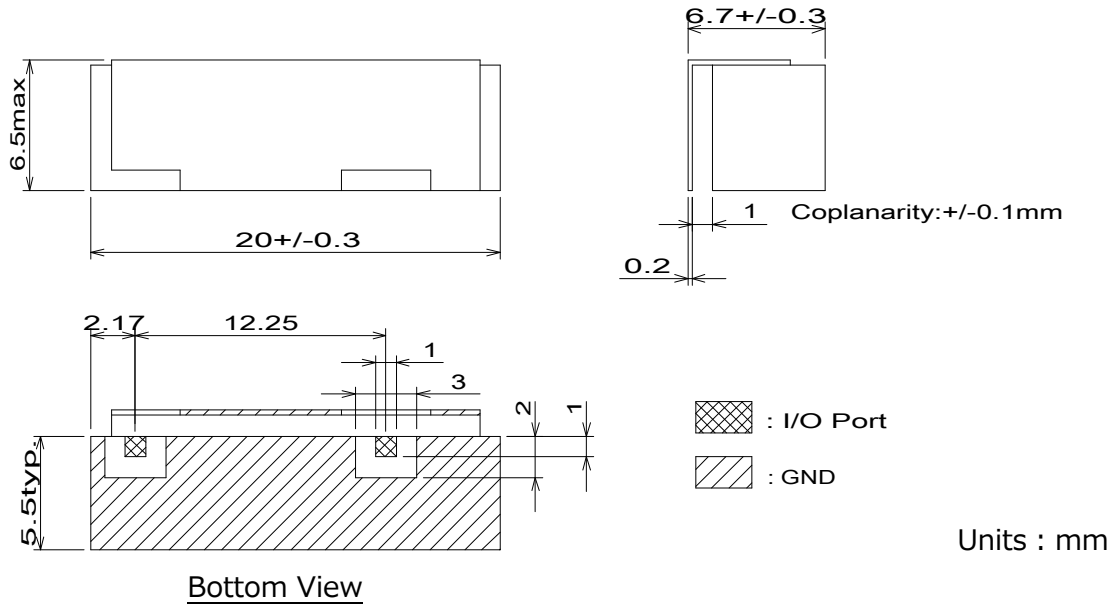
### Electrical Specifications

Parameter	Frequency [MHz]	Specification -40°C to 85°C	Typical Value @25°C
Center Frequency	1940		
Band Width	200		
Insertion Loss	1840 – 2040	2.2dB max	1.3dB
Passband Ripple	1840 – 2040	1.5dB max	0.7dB
VSWR	1840 – 2040	1.8 max	1.5
Attenuation			
Impedance		50 Ohm	50 Ohm
Input power		1Watt max	

### Electrical Performance



Mechanical Dimension



Tolerance unless otherwise specified : +/-0.2mm

Referenced Land Pattern

