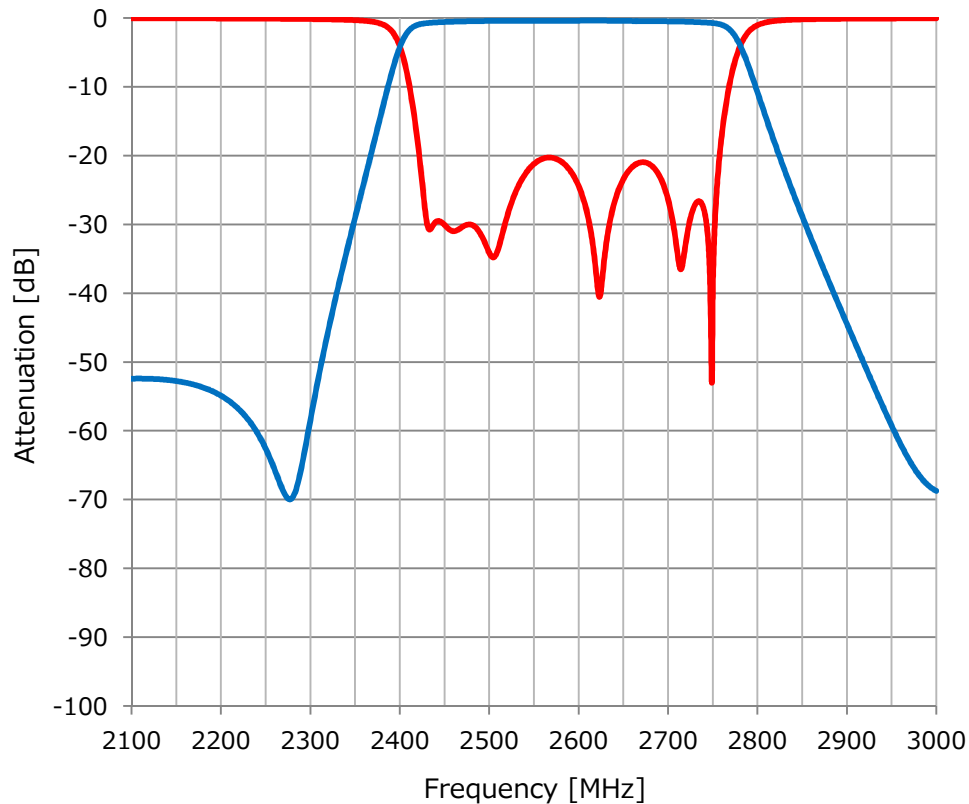


WBPF-A010

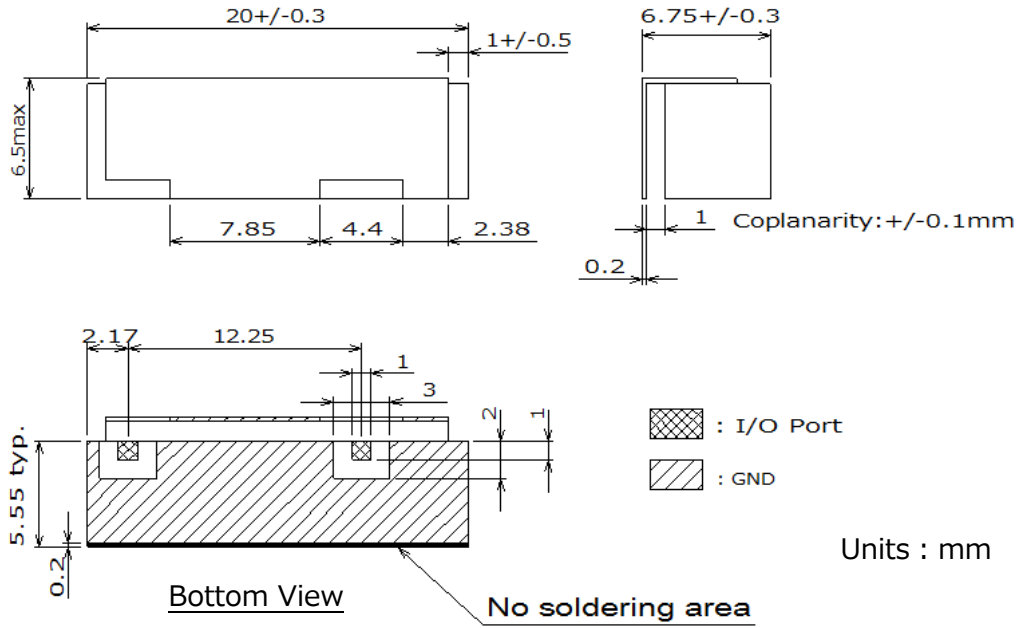
Electrical Specifications

Parameter	Frequency [MHz]	Specification -40°C to 85°C	Typical Value @25°C
Center Frequency	2593		
Band Width	280		
Insertion Loss	2453 – 2733	3.0dB max	0.7dB
Passband Ripple	2453 – 2733	2.0dB max	0.2dB
VSWR	2453 – 2733	1.5 max	1.2
Attenuation			
Impedance		50 Ohm	50 Ohm
Input power		1Watt max	

Electrical Performance



Mechanical Dimension



Tolerance unless otherwise specified : \pm 0.2mm

Referenced Land Pattern

