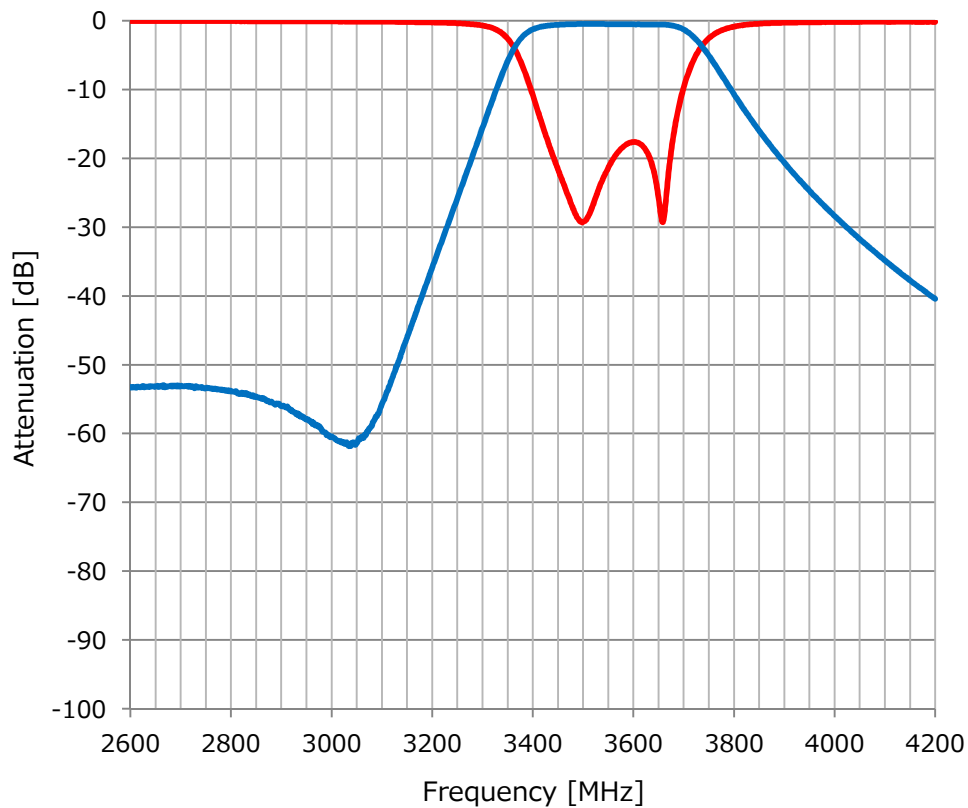


WBPF-A005

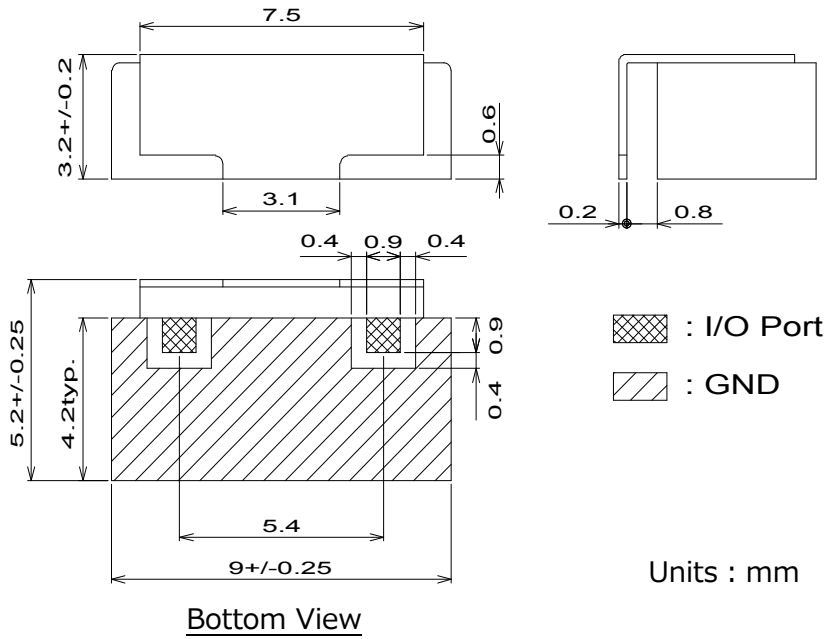
Electrical Specifications

Parameter	Frequency [MHz]	Specification -40°C to 85°C	Typical Value @25°C
Center Frequency	3550		
Band Width	300		
Insertion Loss	3400 – 3700	2.0dB max	1.0dB
Passband Ripple	3400 – 3700	1.5dB max	0.6dB
VSWR	3400 – 3700	2.4 max	1.8
Attenuation			
Impedance		50 Ohm	50 Ohm
Input power		1Watt max	

Electrical Performance



Mechanical Dimension



Tolerance unless otherwise specified : +/-0.2mm

Referenced Land Pattern

