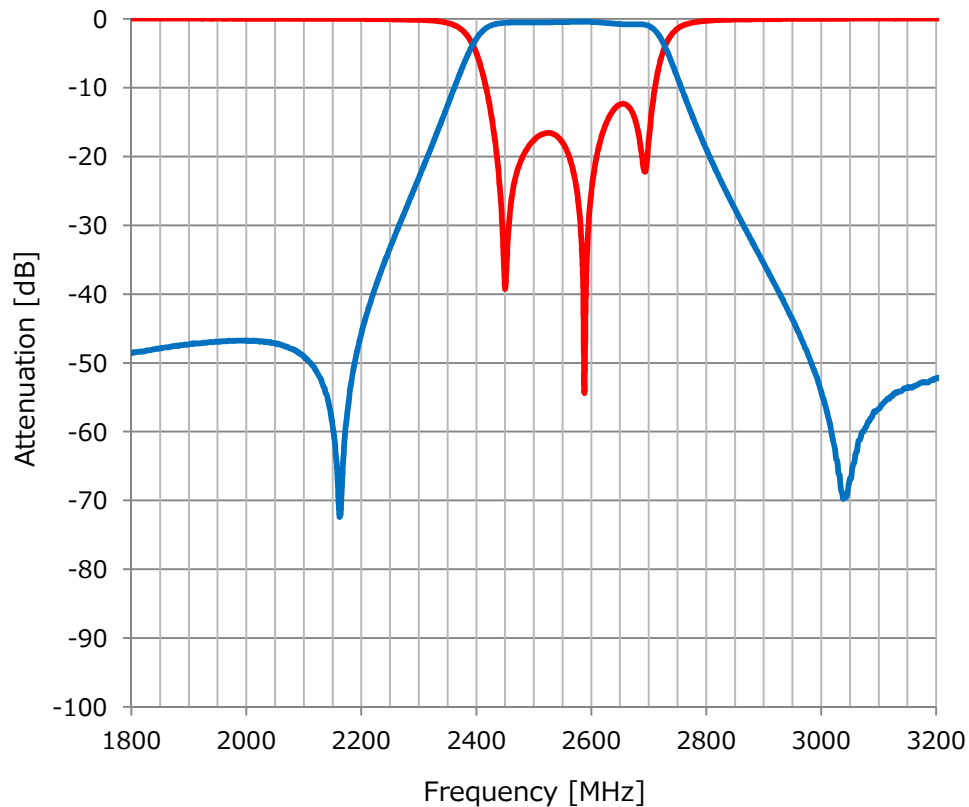


# WBPF-A003

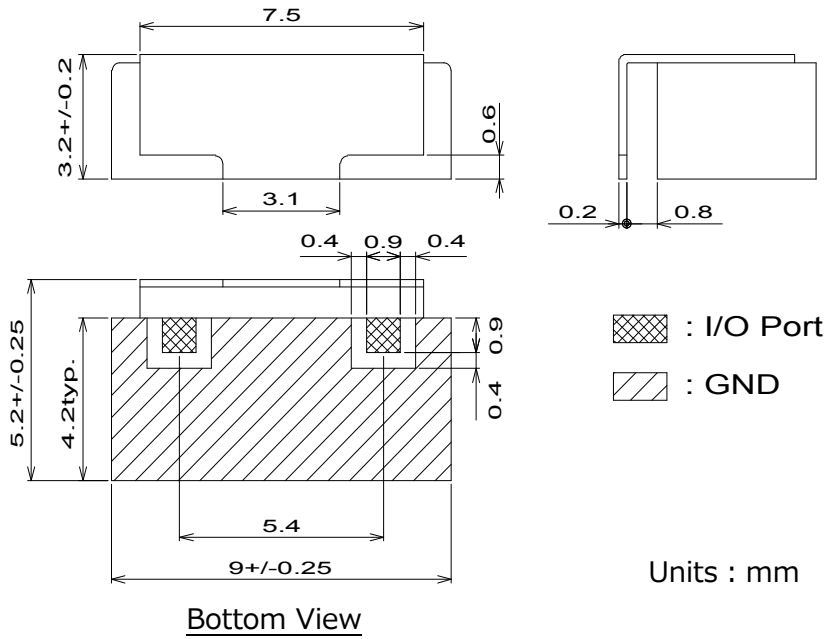
## Electrical Specifications

Parameter	Frequency [MHz]	Specification -40°C to 85°C	Typical Value @25°C
Center Frequency	2590		
Band Width	200		
Insertion Loss	2490 – 2690	2.0dB max	0.6dB
Passband Ripple	2490 – 2690	1.5dB max	0.2dB
VSWR	2490 – 2690	2.0 max	1.4
Attenuation			
Impedance		50 Ohm	50 Ohm
Input power		1Watt max	

## Electrical Performance



Mechanical Dimension



Tolerance unless otherwise specified : +/-0.2mm

Referenced Land Pattern

