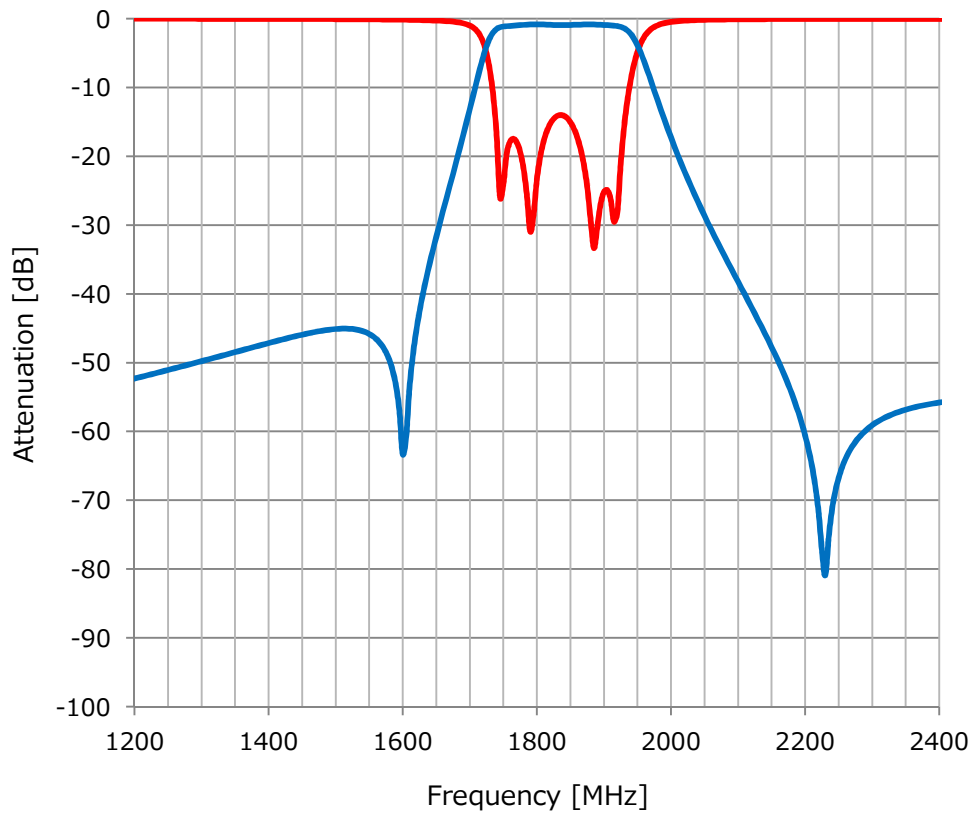


WBPF-A001

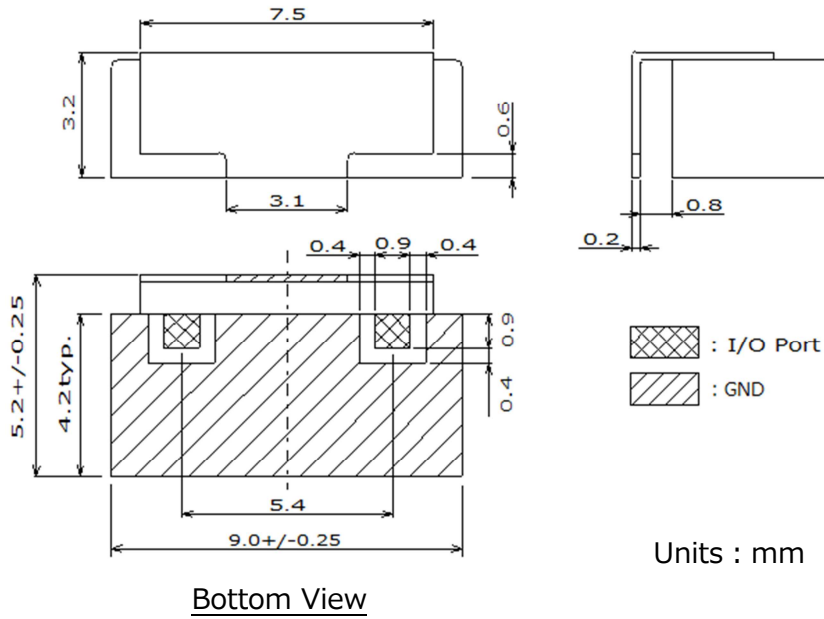
Electrical Specifications

Parameter	Frequency [MHz]	Specification -40°C to 85°C	Typical Value @25°C
Center Frequency	1837.5		
Band Width	165		
Insertion Loss	1755 – 1920	2.5dB max	1.2dB
Passband Ripple	1755 – 1920	1.5dB max	0.5dB
Return Loss	1755 – 1920	10dB min	14dB
Attenuation			
Impedance		50 Ohm	50 Ohm
Input power		1Watt max	

Electrical Performance



Mechanical Dimension



Tolerance unless otherwise specified : +/-0.2mm

Referenced Land Pattern

